

**Panel-mounted valves
Series T, Ø 22.5 mm**



Basic valve
3/2-way, M5 (10/32 UNF)
M5 and G 1/8

2.122

Basic valve
3/2-way, M5 (10/32 UNF)
M5 and G 1/8

2.122



Push button
Ø 22.5 mm

18-T-23-011

2.126

Mushroom
Ø 22.5 mm

18-T-23-012

2.126



2-position switch
Ø 22.5 mm

18-T-23-013

2.127

Key return
Ø 22.5 mm

18-T-23-014

2.127



Stop/Key return
lockable
Ø 22.5 mm

18-T-23-015

2.128

Toggle
Ø 22.5 mm

18-T-23-016

2.128



**Panel-mounted valves
Series T, Ø 22.5 mm**



**Push button
Ø 30 mm**

18-T-30-011 2.129

**Mushroom
Ø 30 mm**

18-T-30-012 2.129



**2-position switch
Ø 30 mm**

18-T-30-013 2.130

**Key return
Ø 30 mm**

18-T-30-014 2.130



**Toggle
Ø 30 mm**

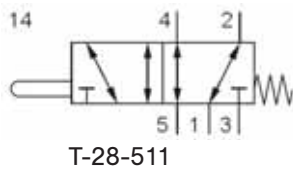
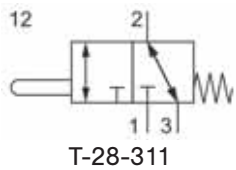
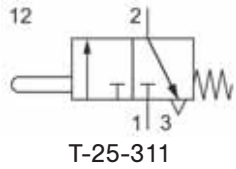
18-T-30-016 2.131

**Emergency
Ø 30 mm**

18-T-30-018 2.131



Technical data for series
T-25, T-28



Function

T-25-311: pressure inlet at 1. The exhaust air is vented through a small orifice on the side.

T-28-311 and T-28-511: All ports are interchangeable. The actuators are attached to the body by sliding the locking lever.

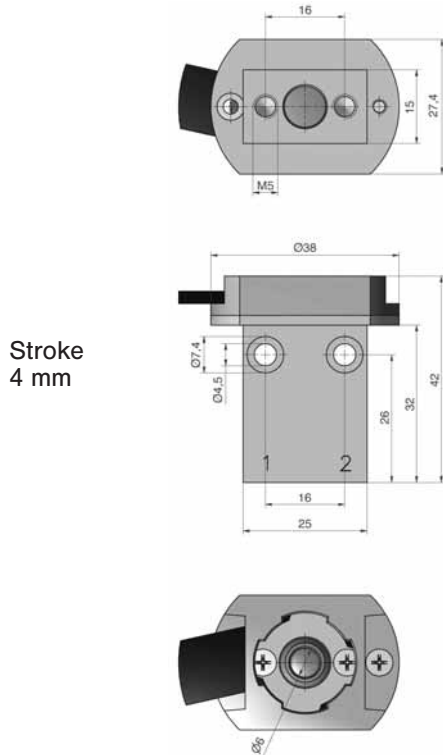


Actuators for the model T-25-311, T-28-311 and T-28-511, see page 2.120 and 2.121.

Order number	T-25-311	T-28-311	T-28-511
Design and function	3/2-way seat valve, spring return	3/2-way spool valve, spring return	5/2-way spool valve, spring return
Connection	M5 (10/32 UNF)	G 1/8	
Nominal size	2,5 mm	4 mm	
Flow rate	95 NI/min (0.097 Cv)	450 NI/min (0.457 Cv)	465 NI/min (0.473 Cv)
Pressure range	0 ... 12 bar (0 ... 175 psi)		2 ... 10 bar (0 ... 145 psi)
Actuating force at 6 bar	22 N	25 N	15 N
Temperature range	- 10 °C ... + 70 °C (+ 14 °F ... + 158 °F)		
Materials	Body: Al (anodized), Inner parts: Al, stainless steel, brass Seals: NBR		
Weight	0,034 kg (0.075 lb.)	0,054 kg (0.119 lb.)	0,066 kg (0.145 lb.)

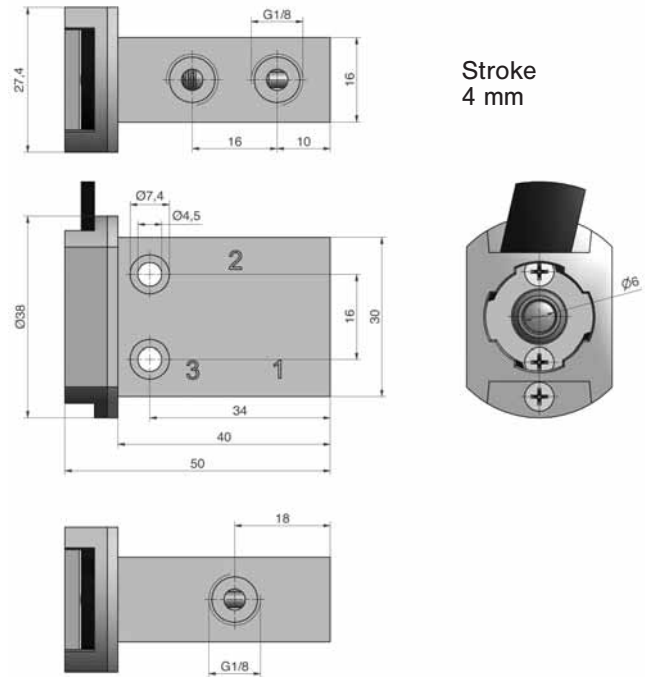
Dimensions for series
T-25, T-28

3/2-way seat valve M5, order number T-25-311



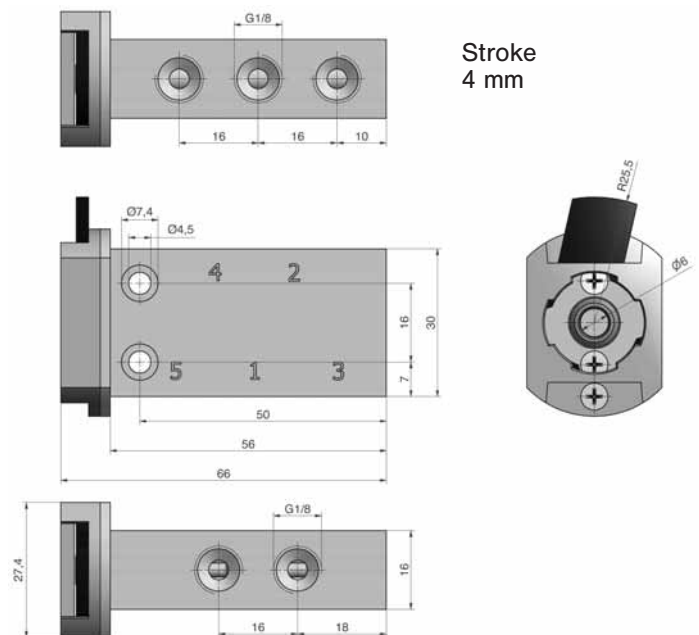
1 = pressure inlet
 2 = outlet

3/2-way spool valve G 1/8, order number T-28-311



1, 2, 3 = for interchangeable use
 2 = outlet

5/2-way valve, order number T-28-511



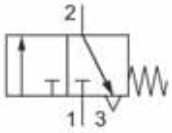
1, 2, 3, 4, 5 = for interchangeable use

Ventile für manuelle Betätigung
Basic valve
3/2- and 5/2-way, M5 (10/32 UNF)

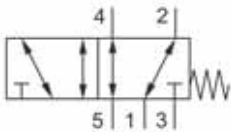


Technical data for series

T-30



T-30-310



T-30-510



Design and function

T-30-310 – direct operated seat valve, pressure inlet always at port 1.

T-30-510 – direct operated spool valve, all ports are interchangeable.

The actuators are attached to the body by sliding the locking lever.

Order number	T-30-310	T-30-510
Function	3/2-way spring return	5/2-way spring return
Connection	M5 (10/32 UNF)	
Nominal size	2 mm	2.4 mm
Flow rate	80 NI/min (0.081 Cv)	100 NI/min (0.102 Cv)
Pressure range	0 ... 12 bar (0 ... 175 psi)	
Actuating force at 6 bar	10 N	21 N
Temperature range	- 10 °C ... + 70 °C (+ 14 °F ... + 158 °F)	
Materials	Body: Al (anodized), Inner parts: Al, brass, stainless steel	
	Seals: NBR	Seals: NBR and POM
Weight	0.052 kg (0.115 lb.)	0.076 kg (0.167 lb.)

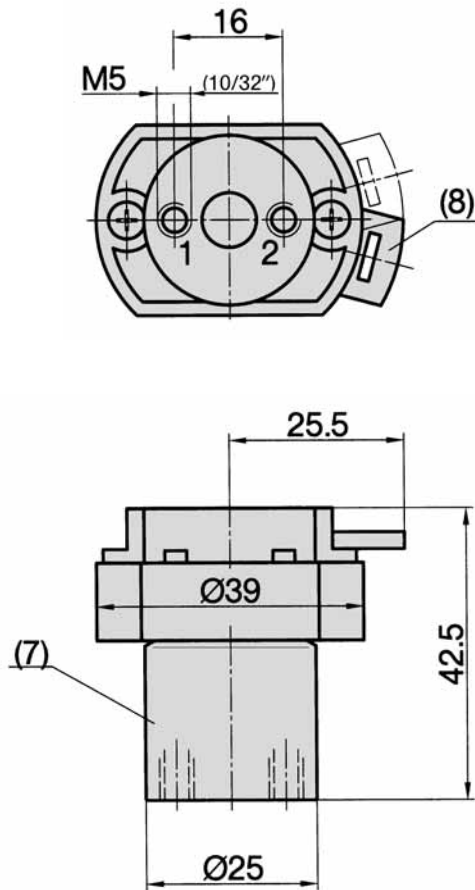
Basic valve
3/2- and 5/2-way, M5 (10/32 UNF)



Dimensions for series

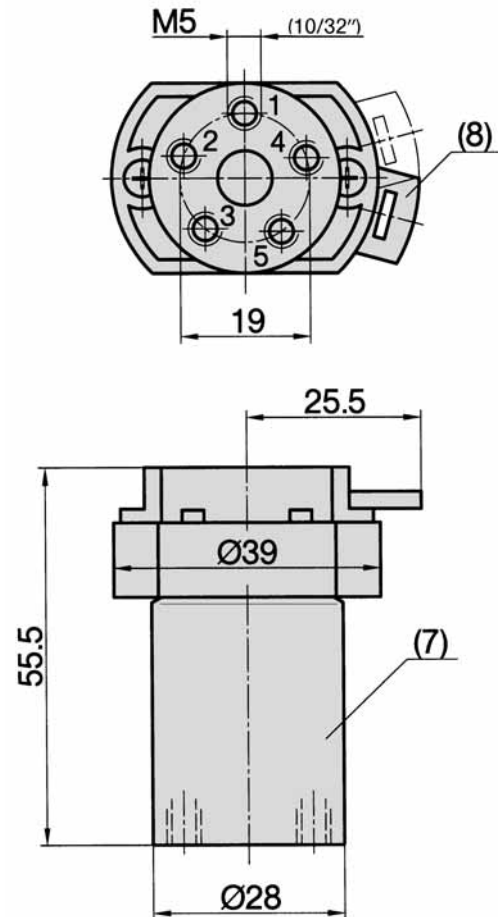
T-30

Basic body, order number T-30-310



- 1 = pressure inlet
- 2 = outlet
- (7) = the AI body is free to rotate
- (8) = locking lever

Basic body, order number T-30-510

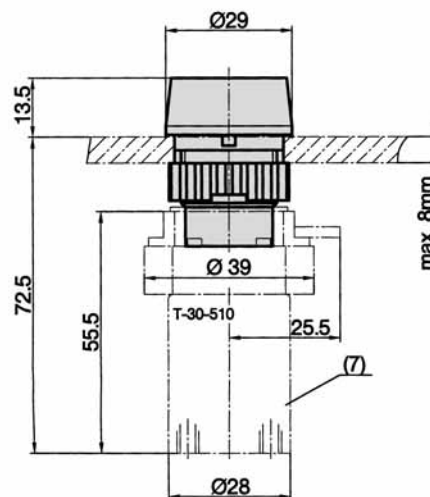
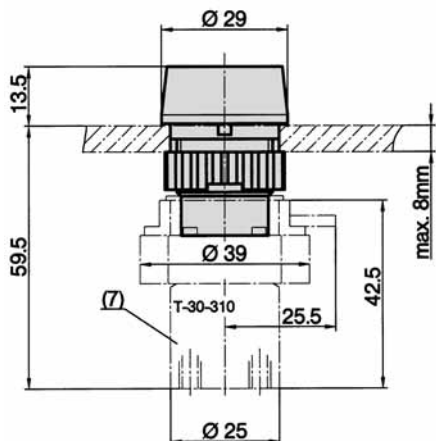


- 1, 2, 3, 4, 5 = for interchangeable use
- (7) = the AI body is free to rotate
- (8) = locking lever

Dimensions for actuator

Ø 22.5 mm

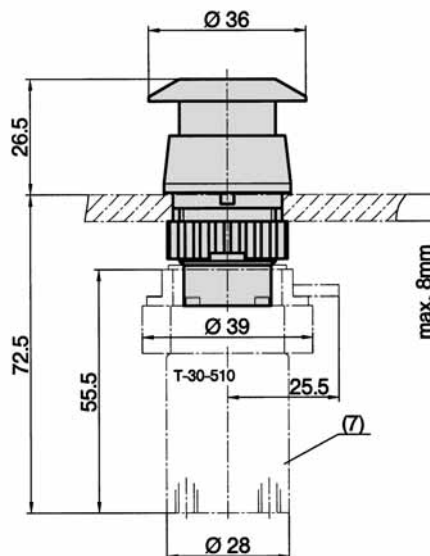
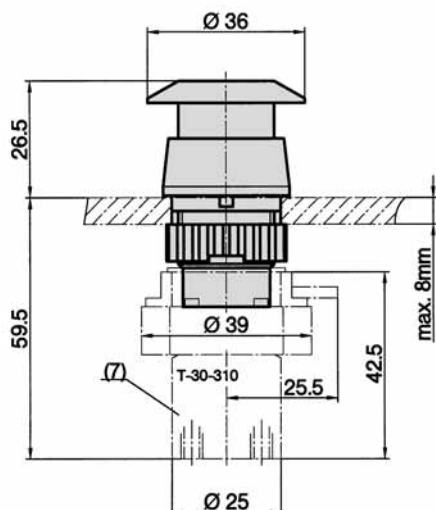
Push button, order number 18-T-23-011



Mounted with	T-30-310	T-30-510
Symbol		
Actuating force at 6 bar	13 N	23 N
Weight	0.067 kg (0.148 lb.)	0.090 kg (0.198 lb.)
Available colors	green with white line (ON) red with white circle (OFF) black, yellow, green or blue	

(7) = The AI body is free to rotate.
Please specify actuator color when ordering.

Mushroom, order number 18-T-23-012



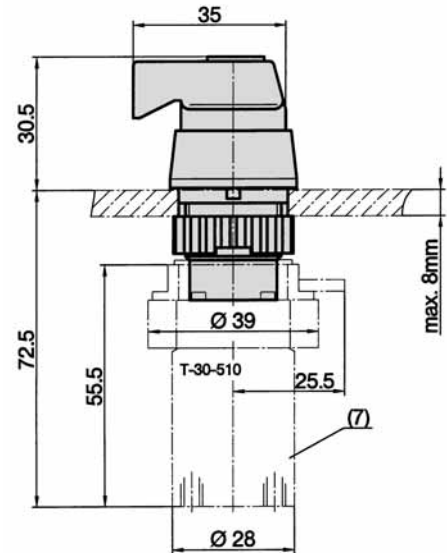
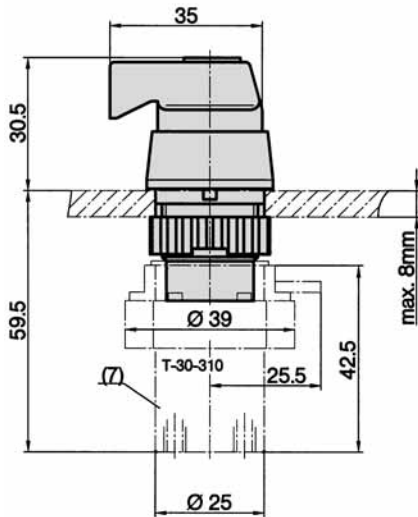
Mounted with	T-30-310	T-30-510
Symbol		
Actuating force at 6 bar	13 N	23 N
Weight	0.072 kg (0.159 lb.)	0.095 kg (0.209 lb.)
Available color	green, red	

(7) = The AI body is free to rotate.
Please specify actuator color when ordering.

Dimensions for actuator

Ø 22.5 mm

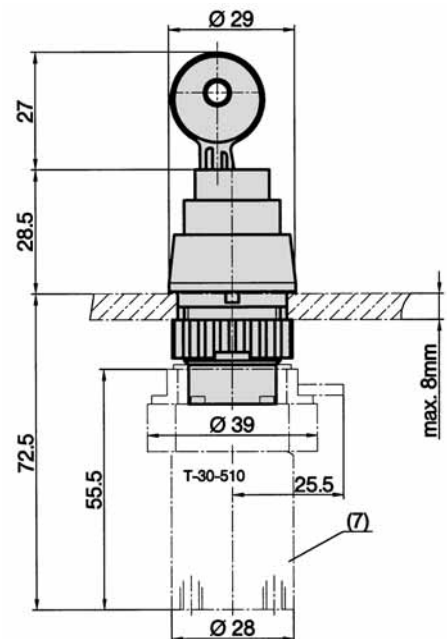
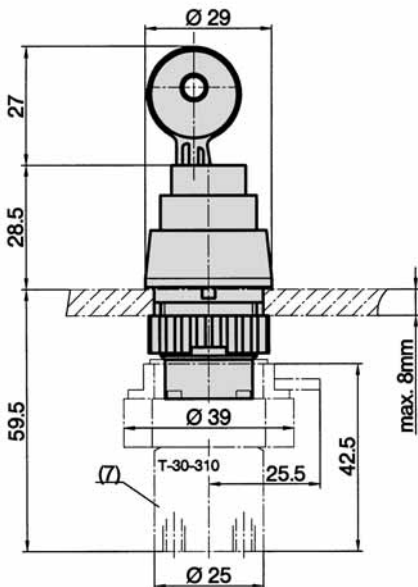
2-position switch, order number 18-T-23-013



Mounted with	T-30-310	T-30-510
Symbol		
Actuating force at 6 bar	26 N	25 N
Weight	0.073 kg (0.161 lb.)	0.096 kg (0.212 lb.)

(7) = The AI body is free to rotate.

Key return, order number 18-T-23-014



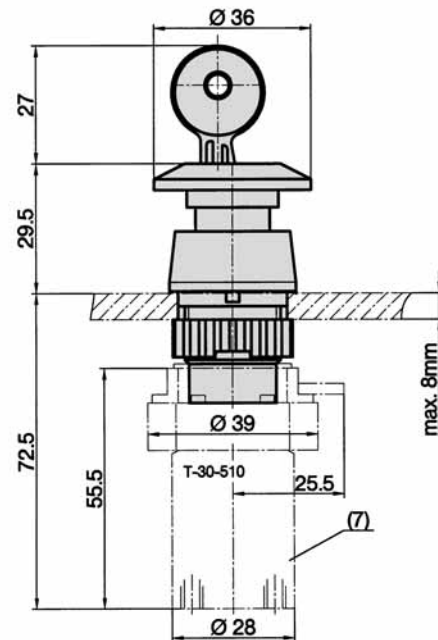
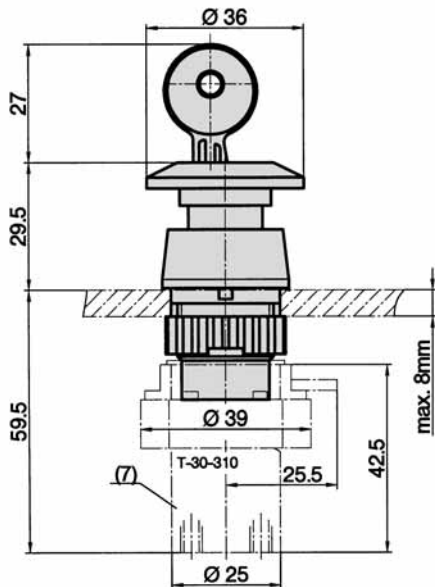
Mounted with	T-30-310	T-30-510
Symbol		
Actuating force at 6 bar	24 N	34 N
Weight	0.126 kg (0.278 lb.)	0.149 kg (0.328 lb.)

(7) = The AI body is free to rotate.

Dimensions for actuator

Ø 22.5 mm

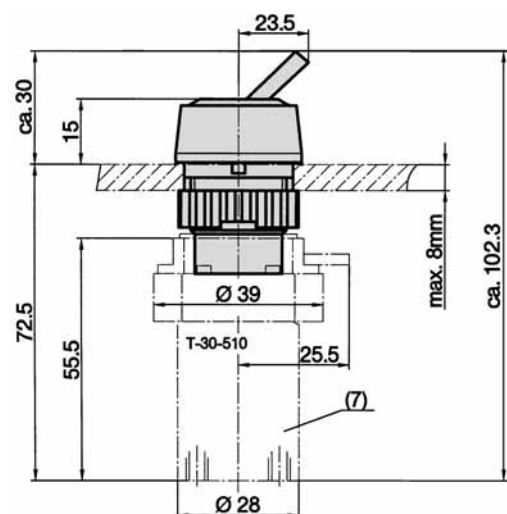
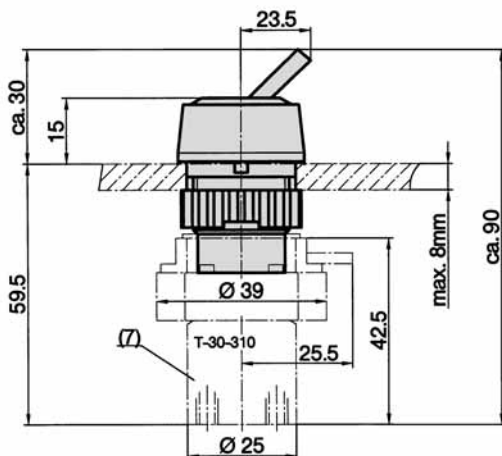
Stop/Key return, order number 18-T-23-015



Mounted with	T-30-310	T-30-510
Symbol		
Actuating force at 6 bar	17 N	27 N
Weight	0.128 kg (0.282 lb.)	0.151 kg (0.333 lb.)
Available color	red	

(7) = The AI body is free to rotate.

Toggle, order number 18-T-23-016



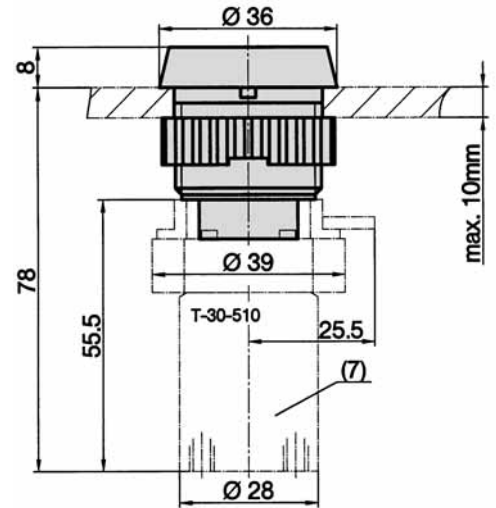
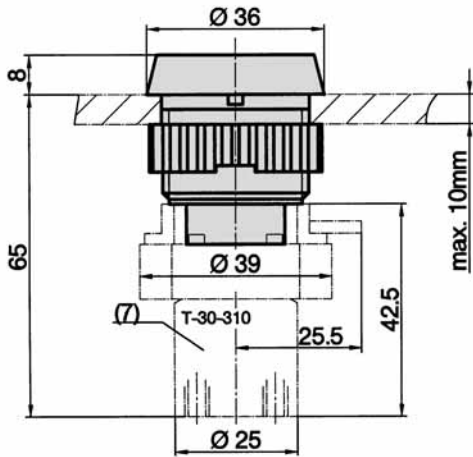
Mounted with	T-30-310	T-30-510
Symbol		
Actuating force at 6 bar	6 N	12 N
Weight	0.071 kg (0.156 lb.)	0.094 kg (0.207 lb.)

(7) = The AI body is free to rotate.

Dimensions for actuator

Ø 30 mm

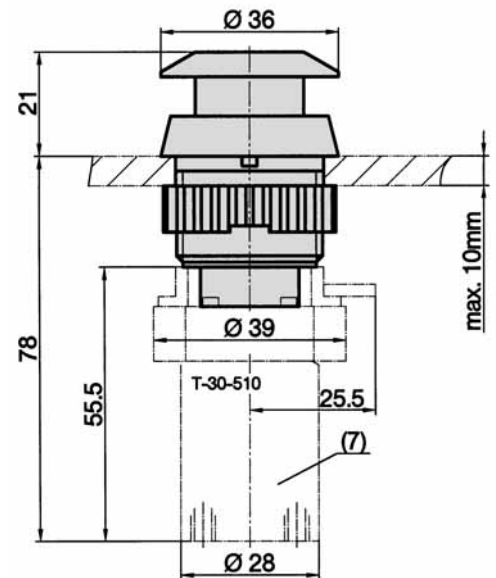
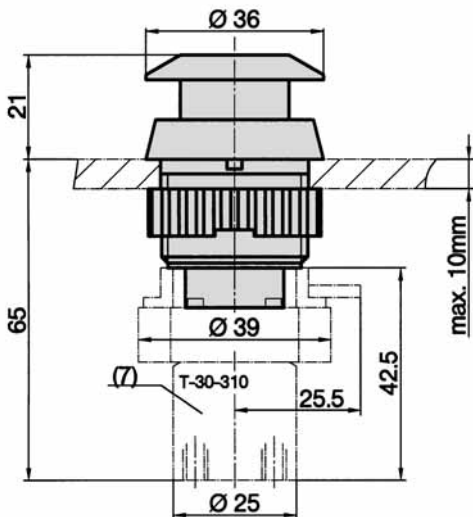
Push button, order number 18-T-30-011



Mounted with	T-30-310	T-30-510
Symbol		
Actuating force at 6 bar	15 N	24 N
Weight	0.076 kg (0.167 lb.)	0.099 kg (0.218 lb.)
Available colors	black, green, yellow or red	

(7) = The Al body is free to rotate.
Please specify actuator color when ordering.

Mushroom, order number 18-T-30-012



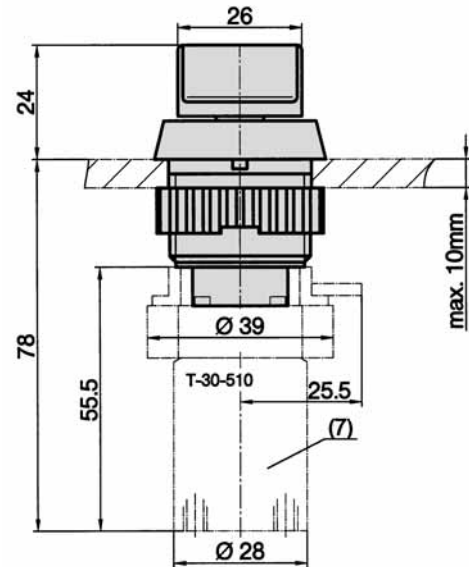
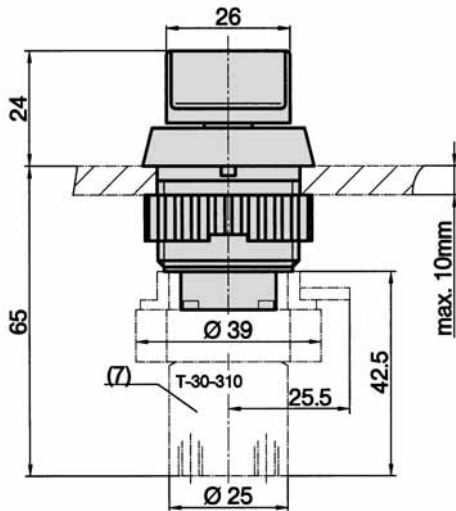
Mounted with	T-30-310	T-30-510
Symbol		
Actuating force at 6 bar	15 N	24 N
Weight	0.081 kg (0.178 lb.)	0.104 kg (0.229 lb.)
Available colors	black or red	

(7) = The Al body is free to rotate.
Please specify actuator color when ordering.

Dimensions for actuator

Ø 30 mm

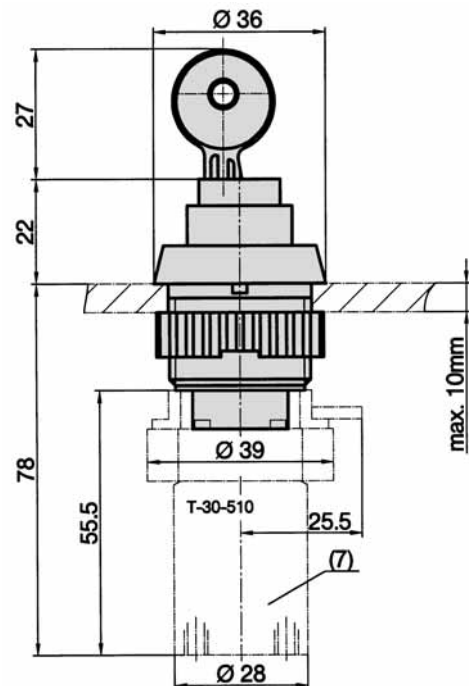
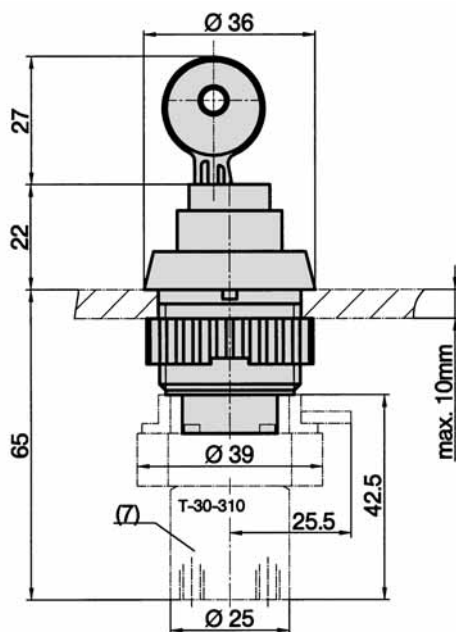
2-position switch, order number 18-T-30-013



Mounted with	T-30-310	T-30-510
Symbol		
Actuating force at 6 bar	15 N	25 N
Weight	0.080 kg (0.176 lb.)	0.103 kg (0.227 lb.)

(7) = The AI body is free to rotate.

Key return, order number 18-T-30-014



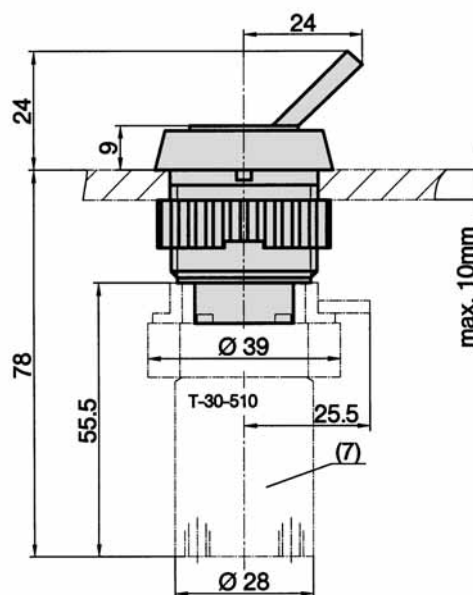
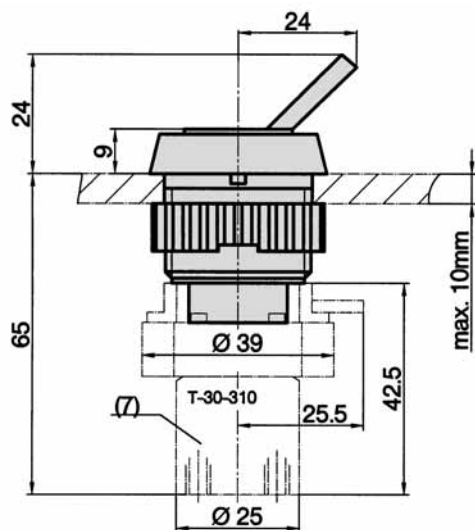
Mounted with	T-30-310	T-30-510
Symbol		
Actuating force at 6 bar	26 N	28 N
Weight	0.133 kg (0.293 lb.)	0.156 kg (0.344 lb.)

(7) = The AI body is free to rotate.

Dimensions for actuator

Ø 30 mm

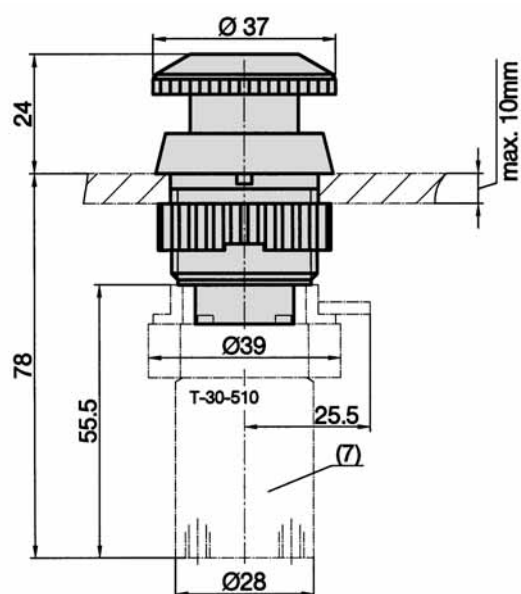
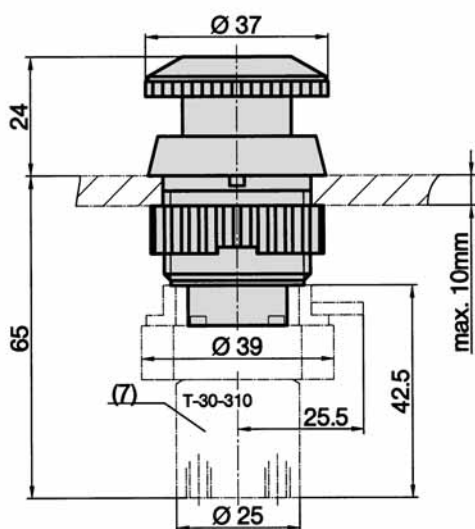
Toggle, order number 18-T-30-016



Mounted with	T-30-310	T-30-510
Symbol		
Actuating force at 6 bar	9 N	11 N
Weight	0.079 kg (0.174 lb.)	0.102 kg (0.225 lb.)

(7) = The Al body is free to rotate.

Emergency, order number 18-T-30-018



Mounted with	T-30-310	T-30-510
Symbol		
Actuating force at 6 bar	31 N	25 N
Weight	0.086 kg (0.189 lb.)	0.109 kg (0.240 lb.)
Available color	red	

(7) = The Al body is free to rotate.