

## Line Vac™

**Convey parts, materials,  
waste - with no moving parts!**

- ✓ **High Conveying Rates!**
- ✓ **Ideal For Long Distance!**
- ✓ **Mounting Brackets Available!**

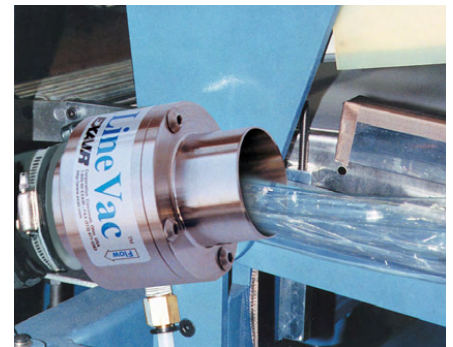
### What Is The Line Vac?

A fast, low cost way to convey:

- Plastic pellets
- Scrap trim
- Textiles
- Bulk solids
- Food products
- Chips
- Paper
- Pills/tablets
- Small parts
- Shavings
- Sawdust
- Granules



EXAIR's compressed air operated Line Vac connects to standard hose or tube to create a powerful in-line conveyor. The compact design features large throat diameters for maximum throughput capability. Eleven sizes in aluminum and ten in stainless steel are suited to a wide variety of transfer applications.



A Model 6084 2" (51mm) Line Vac transports scrap cellophane trim to a waste barrel.

Air Operated  
Conveyors

### Why The Line Vac?

Line Vac conveyors are ideal for moving large volumes of material over long distances. A small amount of compressed air is injected through directed nozzles to produce a vacuum on one end and high output flows on the other, with instantaneous response. The material flow rate is easily controlled with a pressure regulator. An optional bracket permits easy mounting. No moving parts or electricity assures maintenance free operation.



#### Applications

- Hopper loading
- Fiber tensioning
- Material conveying
- Waste/trim removal
- Chip removal
- Part transfer
- Filling operations

#### Advantages

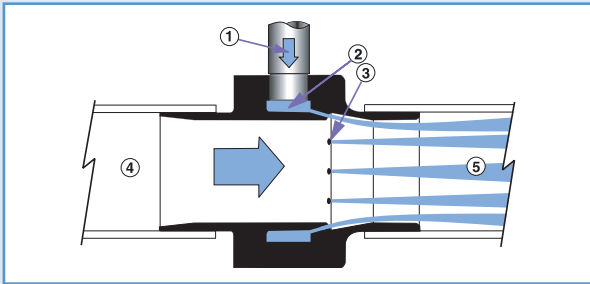
- Compact
- Quiet
- No moving parts
- Fits standard hose or tube
- Aluminum or stainless steel
- Eleven sizes
- High throughput capability



The Model 6083 1-1/2" (38mm) Line Vac conveys plastic granules to the gravity feed hopper on an extruder.

# Line Vac

## How The Line Vac Works



Compressed air flows through the inlet (1) into an annular plenum chamber (2). It is then injected into the throat through directed nozzles (3). These jets of air create a vacuum at the intake (4) which draws material in and accelerates it through the unit (5) for conveying over long vertical or horizontal distances.

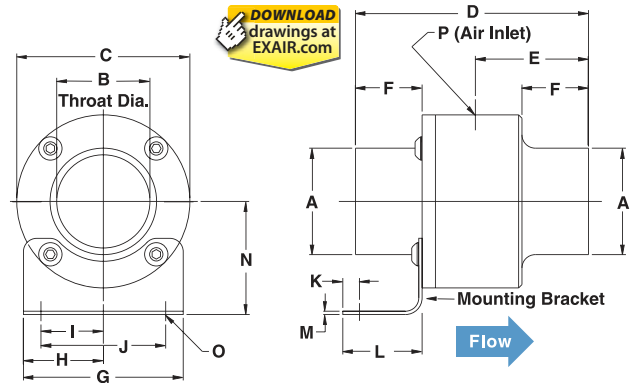


Line Vacs are available in many sizes in both aluminum and stainless steel.

## Line Vac Conveying Rates

Line Vac is available in a number of styles, materials, and sizes. Each has a large, smooth, straight bore that allows as much material to pass through as possible. Infinite control of the flow rate through the Line Vac can be controlled by a pressure regulator. Kits include a pressure regulator that is sized properly for flow.

The actual conveying rate is affected by the size, mass and geometry of the part to be conveyed along with the length, lift and number of bends in the hose, tube or pipe. These variables make it difficult to determine the exact conveying rate for any product, however, the Application Engineers can assist you by comparing the material you want to convey with something that has already been tested.



## Line Vac Dimensions

Line Vac Models			Line Vac Dimensions																	
Alum.	St. St.	Heavy Duty	Hose Size		A	B	C	D	E	F	G	H	I	J	K	L	M	N	O	P
6078	6058	N/A	in	0.38	0.19	1	2.18	1	0.63	1.25	0.62	0.41	0.82	0.17	1.13	0.06	1.07	0.18	1/8	
			mm	10	5	25	55	25	16	32	16	10	21	4	29	2	27	5	NPT	
6079	6059	N/A	in	0.50	0.31	1.25	2.62	1.23	0.75	1.25	0.63	0.34	0.68	0.13	1	0.06	1.18	0.16	1/8	
			mm	13	8	32	66	31	19	32	16	9	17	3	25	2	30	4	NPT	
6080	6060	150075	in	0.75	0.50	1.88	3.88	1.88	1	2	1	0.76	1.52	0.25	1.38	0.06	1.44	0.20	1/4	
			mm	19	13	48	99	48	25	51	25	19	39	6	35	2	37	5	NPT	
6081	6061	150100	in	1	0.75	2.13	3.88	1.88	1	2	1	0.65	1.30	0.26	1.32	0.06	1.56	0.20	1/4	
			mm	25	19	54	99	48	25	51	25	17	33	7	34	2	40	5	NPT	
6082	6062	150125	in	1.25	1	2.38	3.88	1.88	1	2.50	1.25	1	2	0.31	1.61	0.06	1.68	0.28	1/4	
			mm	32	25	61	99	48	25	64	32	25	51	8	41	2	43	7	NPT	
6083	6063	150150	in	1.50	1.25	2.75	4.38	2.13	1.25	2.50	1.25	0.86	1.73	0.25	1.44	0.06	1.88	0.28	3/8	
			mm	38	32	70	111	54	32	64	32	22	44	6	37	2	48	7	NPT	
6084	6064	150200	in	2	1.75	3.25	4.38	2.13	1.25	3	1.50	1.17	2.34	0.28	1.48	0.06	2.13	0.28	3/8	
			mm	51	45	83	111	54	32	76	38	30	59	7	38	2	54	7	NPT	
6085	6065	N/A	in	2.50	2.25	3.75	4.38	2.13	1.25	3	1.50	1	2	0.31	1.44	0.06	2.38	0.28	3/8	
			mm	64	57	95	111	54	32	76	38	25	51	8	37	2	60	7	NPT	
6086	6066	N/A	in	3	2.75	4.25	5.63	2.75	1.75	3.25	1.63	1.20	2.41	0.41	1.44	0.06	2.63	0.28	1/2	
			mm	76	70	108	143	70	45	83	41	31	61	10	37	2	67	7	NPT	
6087	6067	N/A	in	4	3.75	5.25	5.63	2.75	1.75	3.25	1.63	1.34	2.70	0.31	1.59	0.06	3.13	0.28	1/2	
			mm	102	95	133	143	70	45	83	41	34	69	8	40	2	80	7	NPT	
6088	N/A	N/A	in	5	4.75	6.25	5.63	2.75	1.75	4.13	2.06	1.70	3.47	0.33	1.52	0.06	3.63	0.28	1/2	
			mm	127	121	159	143	70	45	105	52	43	88	8	39	2	92	7	NPT	

## Line Vac Performance

80 PSIG (5.5 BAR)	Air Consumption		Vacuum		
	Model	SCFM	SLPM	"H <sub>2</sub> O	kPa
	6058, 6078	5.60	158	-120	-29.9
	6059, 6079	7	198	-100	-24.9
	6060, 6080	10.70	303	-72	-18
	6061, 6081	14.70	416	-42	-11
	6062, 6082	25.90	733	-42	-11
	6063, 6083	33	934	-36.8	-9
	6064, 6084	45	1274	-28.5	-7
	6065, 6085	58.50	1656	-23.5	-6
	6066, 6086	68.50	1939	-14.7	-4
	6067, 6087	95	2690	-13.6	-3.4
	6088	128	3625	-10.5	-2.6



Line Vac Kits include a Line Vac, mounting bracket, filter separator and pressure regulator (with coupler).

Sound levels for the individual Line Vac units are not provided. The length, bends and configuration of the hose, tube or pipe used in conjunction with the Line Vac to form the complete conveying system will determine the actual sound levels (which can vary greatly).

## Selecting The Right Model

Line Vac is available in a wide range of sizes to fit your application. Some of the criteria used to select the proper model are:

- Diameter of parts being conveyed
- Diameter of hose or tube
- Rate (weight or volume)
- Stainless steel (Type 303 and 316) or aluminum

Aluminum is the economical choice for general purpose conveying. Our standard stainless steel models (Type 303) offer good corrosion resistance and are ideal for food service, abrasive or corrosive applications. For critical applications including certain foods and pharmaceutical products, Type 316 stainless steel models provide excellent corrosion resistance.

**Warning: Do not use with any material that can become an explosive mixture.**



A 316 Stainless Steel Line Vac is used by a pharmaceutical company to convey pills and tablets to a packaging station.

Line Vac Comparison		
Material Type	Temperature Rating	Corrosion Resistance
Aluminum Line Vac	275°F (135°C)	Fair
Stainless Steel Line Vac (Type 303)	400°F (204°C)	Good
Stainless Steel Line Vac (Type 316)	400°F (204°C)	Excellent
High Temperature Stainless Steel Line Vac (Type 303)	900°F (482°C)	Good
Heavy Duty Line Vac Hardened Alloy Construction	400°F (204°C)	Good

The High Temperature Line Vac models are suited for temperatures up to 900°F (482°C). Frequently used for sampling hot flue gases, this High Temperature Line Vac can resist back pressure from long pipe lengths with numerous bends. The Heavy Duty Line Vac shown on page 115 moves the highest volumes and resists wear.



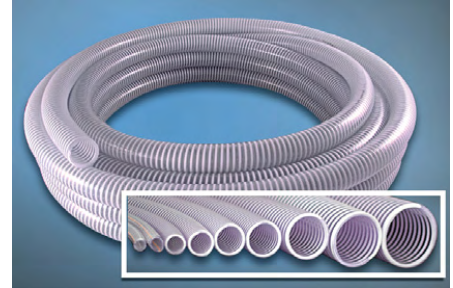
High Temperature Line Vacs can resist temperatures to 900°F (482°C) and are available from stock in hose or threaded models.

For assistance with product selection, contact an Application Engineer at 1-800-903-9247.

# Line Vac

## Clear PVC Hose

EXAIR stocks 3/8" (10mm), 1/2" (13mm), 3/4" (19mm), 1" (25mm), 1-1/4" (32mm), 1-1/2" (38mm), 2" (51mm), 2-1/2" (64mm) and 3" (76mm) I.D. PVC hose in lengths up to 50' (15.2m). Ideal for conveying applications, the hose is very flexible and has a smooth internal bore that eliminates material build up. The reinforced heavy wall of this clear hose provides visual confirmation that the material is moving when air is supplied to the Line Vac. Temperature rating is -4 to 150°F (-20 to 66°C).



## Special Line Vacs

EXAIR manufactures special Line Vacs suited to specific application requirements. Configurations and materials can be made to facilitate your requirements.

The Line Vac can be engineered to retrofit existing machinery. The Line Vac (*shown below*) has special flanges that permit direct mounting to a machine used in the manufacturing of silicon wafers for the semiconductor industry.



A special 3/4" (19mm) Stainless Steel Line Vac evacuates fumes from a silicon wafer etching operation.

This flanged Line Vac is used to remove acidic vapors resulting from surface etching of the silicon wafer. Ordinarily, EXAIR's Stainless Steel Air Amplifier would have been used since it moves much higher volumes of air. In this case, the Line Vac was the better choice since the exhaust piping was long with many bends that would have created high back pressure. The directed nozzles of the Line Vac overcome this downstream resistance.



This special 1-1/2" (38mm) Line Vac is made of PVDF to withstand a chloride washdown.

The special flanged Line Vac (*shown above*) is made of PVDF, a plastic that has high chemical resistance. In this case, the 1-1/2" (38mm) Line Vac was regularly exposed to a chloride wash, a chemical that would corrode stainless steel. QF flanges were provided on each end to allow easy removal of the conveying hoses for cleaning purposes.



This special Line Vac is used to fill small packets.

Filling small packets with fine powders or granulated materials

such as salt or sugar is done using small tubes that are gravity fed from a hopper. This works well when the material is dry, however, moist materials would often pack the tube, blocking the flow. The special funnel shaped Line Vac (*shown bottom center*) created a suction on the existing tube to permit continuous product flow.



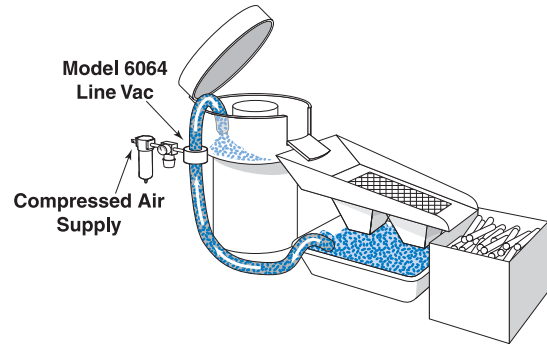
A special miniature Line Vac used to vacuum microscopic debris measures the same size as a penny!

The special miniature Line Vac with barb fittings (*shown above*) was designed for a manufacturer of integrated circuit chips. It was used to remove microscopic debris during the chip making process. This small Line Vac generated high vacuum and was the perfect configuration for the confined working space. It has also been used by another manufacturer to vacuum liquid and chips from small drilled holes.

## Refilling A Vibratory Bowl

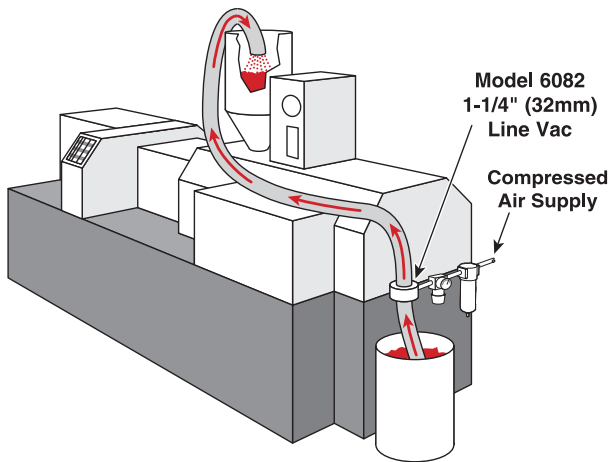
**The Problem:** A manufacturer of metal products deburs aluminum sleeves in a vibratory bowl filled with abrasive media. As the parts complete the deburring cycle, they are discharged to a screened bed. The abrasive media drops through the bed and the finished parts roll into a box. Refilling the bowl was a back breaking operation that required repetitious lifting of heavy buckets.

**The Solution:** A **Model 6064 2" (51mm) Stainless Steel Line Vac** was installed on the vibratory bowl. In minutes, the media was conveyed back up to the bowl through a hose without the heavy lifting.



**Comment:** The ability to convey the abrasive media with air was the key to success. The Line Vac is easy to use, and in this case, was the best choice since it will hold up better to the abrasive media conveyed through it.

## Conveying Plastic Pellets



**The Problem:** Injection molding machines transform plastic pellets into various plastic products. The pellets are gravity fed from a hopper on top of the machine. The "bucket and ladder" method of replenishing the hopper was inefficient and expensive.

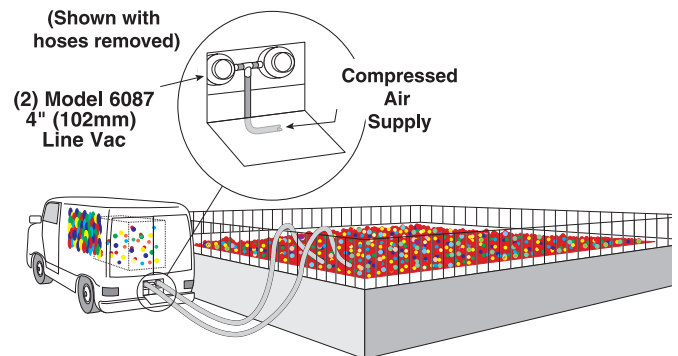
**The Solution:** A **Model 6982 1-1/4" (32mm) Line Vac Kit** was used to convey the pellets up to the hopper. The mounting bracket included with the kit was used to secure the Line Vac to the machine. A filter assured no contamination of the plastic material and a regulator controlled the plastic flow rate.

**Comment:** Unlike mechanical transfer systems that break down or wear out, the **Line Vac has no moving parts**. This low cost method of conveying also gives precise control of material flow into the hopper.

## Sanitizing Playland Balls

**The Problem:** Fast food restaurants and fun centers often include a cage full of plastic balls for the kids to romp around in. The balls were periodically cleaned by a service using truck mounted sanitizing equipment. Service personnel would scoop the balls into nets, carry them to the truck for washing, then lug them back to the cage - a tedious and time consuming job.

**The Solution:** An air compressor powering **(2) Model 6087 4" (102mm) Aluminum Line Vacs** was installed on the truck. With hose attached to the first Line Vac, the balls were vacuumed out of the cage and into the washer. Once sanitized, a second Line Vac and hose transferred them back to the cage. Cleaning time and expense were reduced dramatically.



**Comment:** The compact design and simplicity of operation were the keys to success in this application. **The Line Vac also features large throat diameters for maximum throughput capability** - like the large plastic balls.

# Line Vac

## Line Vac Only Models

Inlet/Outlet Diameter	Aluminum Line Vac Only Model	Type 303 Stainless Steel Line Vac Only Model	Type 316 Stainless Steel Line Vac Only Model	High Temperature Type 303 Stainless Steel Line Vac Only Model	High Temperature Type 316 Stainless Steel Line Vac Only Model
3/8" (10mm)	6078	6058	N/A	N/A	N/A
1/2" (13mm)	6079	6059	N/A	N/A	N/A
3/4" (19mm)	6080	6060	6060-316	HT6060	HT6060-316
1" (25mm)	6081	6061	6061-316	HT6061	HT6061-316
1-1/4" (32mm)	6082	6062	6062-316	HT6062	HT6062-316
1-1/2" (38mm)	6083	6063	6063-316	HT6063	HT6063-316
2" (51mm)	6084	6064	6064-316	HT6064	HT6064-316
2-1/2" (64mm)	6085	6065	N/A	N/A	N/A
3" (76mm)	6086	6066	N/A	N/A	N/A
4" (102mm)	6087	6067	N/A	N/A	N/A
5" (127mm)	6088	N/A	N/A	N/A	N/A

## Line Vac Kit Models

**Line Vac Kits** - includes the Line Vac, mounting bracket, filter separator and pressure regulator (with coupler).

Inlet/Outlet Diameter	Aluminum Line Vac Kit Model	Type 303 Stainless Steel Line Vac Kit Model	Type 316 Stainless Steel Line Vac Kit Model	High Temperature Type 303 Stainless Steel Line Vac Kit Model	High Temperature Type 316 Stainless Steel Line Vac Kit Model
3/8" (10mm)	6978	6958	N/A	N/A	N/A
1/2" (13mm)	6979	6959	N/A	N/A	N/A
3/4" (19mm)	6980	6960	6960-316	HT6960	HT6960-316
1" (25mm)	6981	6961	6961-316	HT6961	HT6961-316
1-1/4" (32mm)	6982	6962	6962-316	HT6962	HT6962-316
1-1/2" (38mm)	6983	6963	6963-316	HT6963	HT6963-316
2" (51mm)	6984	6964	6964-316	HT6964	HT6964-316
2-1/2" (64mm)	6985	6965	N/A	N/A	N/A
3" (76mm)	6986	6966	N/A	N/A	N/A
4" (102mm)	6987	6967	N/A	N/A	N/A
5" (127mm)	6988	N/A	N/A	N/A	N/A

## Accessories

Model #	Description
6994	Mounting Bracket for 3/8" (10mm) and 1/2" (13mm) Line Vac Units
6995	Mounting Bracket for 3/4" (19mm) and 1" (25mm) Line Vac Units
6996	Mounting Bracket for 1-1/4" (32mm) and 1-1/2" (38mm) Line Vac Units
6997	Mounting Bracket for 2" (51mm) Line Vac Unit
6998	Mounting Bracket for 3" (76mm) and 4" (102mm) Line Vac Units
6999	Mounting Bracket for 5" (127mm) Line Vac Unit
9001	Auto Drain Filter Separator, 3/8 NPT, 65 SCFM (1841 SLPM)
9032	Auto Drain Filter Separator, 1/2 NPT, 90 SCFM (2549 SLPM)
9002	Auto Drain Filter Separator, 3/4 NPT, 220 SCFM (6230 SLPM)
9005	Oil Removal Filter, 3/8 NPT, 15-37 SCFM (425-1048 SLPM)
9006	Oil Removal Filter, 3/4 NPT, 50-150 SCFM (1415-4248 SLPM)
9008	Pressure Regulator with Gauge, 1/4 NPT, 50 SCFM (1415 SLPM)
9033	Pressure Regulator with Gauge, 1/2 NPT, 100 SCFM (2832 SLPM)
9009	Pressure Regulator with Gauge, 3/4 NPT, 220 SCFM (6230 SLPM)

Hose is available in 10', 20', 30', 40' and 50' lengths. Select the hose model number (diameter) and indicate the length with a dash. Example: A Model 6931-20 is 1" ID Hose x 20' long.

6928-	Hose 3/8" ID
6929-	Hose 1/2" ID
6930-	Hose 3/4" ID
6931-	Hose 1" ID
6932-	Hose 1-1/4" ID
6933-	Hose 1-1/2" ID
6934-	Hose 2" ID
6935-	Hose 2-1/2" ID
6936-	Hose 3" ID

Air Operated  
Conveyors



(2) Model 6083 1-1/2" (38mm) Line Vacs convey reject metal caps from a fluorescent lamp operation to a scrap bin.



If you have special requirements, please contact an Application Engineer to discuss the application.

## Threaded Line Vac™

**Low cost conveyor uses ordinary pipe!**

**Ideal for long distance conveying!**



### What Is The Threaded Line Vac?

A fast, low cost way to convey:

- Plastic pellets
- Scrap trim
- Textiles
- Bulk solids
- Chips
- Paper
- Small parts
- Shavings
- Sawdust
- Granules



The Model 140200 2 NPT Threaded Line Vac converts ordinary pipe into a powerful conveying system for parts, scrap or trim.

EXAIR's Threaded Line Vac air operated conveyors convert ordinary pipe into a powerful conveying system for parts, scrap, trim and other bulk materials. The Threaded Line Vac attaches easily to plumbing pipe couplers, making it easy to build a complete system using ordinary pipe and fittings available from any home center, hardware store or plumbers supply. Performance is the same as our standard Line Vac shown on page 107.

Threaded Line Vac conveyors are ideal for conveying large volumes of material over long distances. They eject a small amount of compressed air to produce a vacuum on one end with high output flows on the other. Response is instantaneous. Regulating the compressed air pressure provides infinite control of the conveying rate. Models from 3/4 NPT to 2 NPT are available in aluminum and stainless steel, which are suited to a wide variety of conveying applications. An optional mounting bracket permits easy mounting. No moving parts or electricity assures maintenance free operation.



A drawer slide manufacturer conveys ball bearings with the Model 141125 1-1/4" Stainless Steel Threaded Line Vac to an assembly station.

Air Operated  
Conveyors



A special Threaded Line Vac has a smooth diameter for hose on the intake and threads on the exhaust that attach to PVC pipe.

### Applications

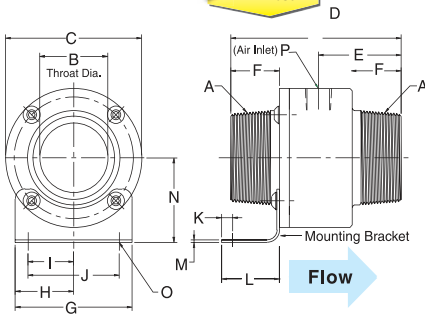
- Hopper loading
- Fiber tensioning
- Material conveying
- Waste/trim removal
- Chip removal
- Part transfer
- Filling operations

### Advantages

- Compact
- Quiet
- No moving parts
- Fits standard pipe
- Aluminum or stainless steel
- Available from stock
- High throughput capability

# Threaded Line Vac

## Dimensions



## Threaded Line Vac Performance

Model	80 PSIG (5.5 BAR)		Air Consumption	
	SCFM	SLPM	"H <sub>2</sub> O	kPa
<b>140075, 141075</b>	10.70	303	-72	-18
<b>140100, 141100</b>	14.70	416	-42	-11
<b>140125, 141125</b>	25.90	733	-42	-11
<b>140150, 141150</b>	33	934	-36.8	-9
<b>140200, 141200</b>	45	1274	-28.5	-7

## Threaded Line Vac Dimensions

Line Vac Models			A Pipe Size Inches	B	C	D	E	F	G	H	I	J	K	L	M	N	O	P	
Alum.	St. St.	Heavy Duty																	
<b>140075</b>	<b>141075</b>	<b>151075</b>	3/4 NPT	in	0.50	1.88	3.88	1.88	1	2	1	0.76	1.52	0.25	1.38	0.06	1.44	0.20	1/4
				mm	13	48	99	48	25	51	25	19	39	6	35	2	37	5	NPT
<b>140100</b>	<b>141100</b>	<b>151100</b>	1 NPT	in	0.75	2.13	4.25	2.06	1.19	2	1	0.65	1.30	0.25	1.32	0.06	1.56	0.20	1/4
				mm	19	54	108	52	30	51	25	17	33	6	34	2	40	5	NPT
<b>140125</b>	<b>141125</b>	<b>151125</b>	1-1/4 NPT	in	1	2.38	4.63	2.25	1.38	2.50	1.25	1	2	0.31	1.61	0.06	1.68	0.28	1/4
				mm	25	60	118	57	35	64	32	25	51	8	41	2	43	7	NPT
<b>140150</b>	<b>141150</b>	<b>151150</b>	1-1/2 NPT	in	1.25	2.75	4.63	2.25	1.38	2.50	1.25	0.86	1.73	0.25	1.44	0.06	1.88	0.28	3/8
				mm	32	70	118	57	35	64	32	22	44	6	37	2	48	7	NPT
<b>140200</b>	<b>141200</b>	<b>151200</b>	2 NPT	in	1.75	3.25	4.63	2.25	1.38	3	1.50	1.17	2.34	0.28	1.48	0.06	2.13	0.28	3/8
				mm	44	83	118	57	35	76	38	30	59	7	38	2	54	7	NPT

## Threaded Line Vac Models

### Threaded Line Vac Only

**Threaded Line Vac Kits** - includes the Line Vac, mounting bracket, filter separator and pressure regulator (with coupler).

Inlet/Outlet Thread Size	Aluminum Threaded Line Vac Only Model	Aluminum Threaded Line Vac Kit Model	Type 303 Stainless Steel Threaded Line Vac Only Model	Type 303 Stainless Steel Threaded Line Vac Kit Model	High Temperature Type 303 Stainless Steel Threaded Line Vac Only Model	High Temperature Type 303 Stainless Steel Threaded Line Vac Kit Model
<b>3/4 NPT</b>	140075	142075	141075	143075	HT141075	HT143075
<b>1 NPT</b>	140100	142100	141100	143100	HT141100	HT143100
<b>1-1/4 NPT</b>	140125	142125	141125	143125	HT141125	HT143125
<b>1-1/2 NPT</b>	140150	142150	141150	143150	HT141150	HT143150
<b>2 NPT</b>	140200	142200	141200	143200	HT141200	HT143200

## Accessories

Model #	Description
<b>6995</b>	Mounting Bracket for 3/4" (19mm) and 1" (25mm) Line Vac Units
<b>6996</b>	Mounting Bracket for 1-1/4" (32mm) and 1-1/2" (38mm) Line Vac Units
<b>6997</b>	Mounting Bracket for 2" (51mm) Line Vac Unit
<b>9001</b>	Auto Drain Filter Separator, 3/8 NPT, 65 SCFM (1841 SLPM)
<b>9005</b>	Oil Removal Filter, 3/8 NPT, 15-37 SCFM (425-1048 SLPM)
<b>9008</b>	Pressure Regulator with Gauge, 1/4 NPT, 50 SCFM (1415 SLPM)



Threaded Line Vac Kits include the Threaded Line Vac, mounting bracket, filter separator and pressure regulator (with coupler).

**GO GREEN**  
**SAVE MONEY**

Order EXAIR's EFC™ electronic flow control to minimize compressed air use. See page 4 for details.

**Order Direct**  
**We Ship From Stock**  
 p:1-800-903-9247 f:1-866-329-3924



## Heavy Duty Line Vac™

Our most powerful Line Vac moves high volumes of material and resists wear!



### What Is The Heavy Duty Line Vac?

The Heavy Duty Line Vac is EXAIR's most powerful conveyor. The appearance is similar to the standard Line Vac but performance has been boosted dramatically. The Heavy Duty Line Vac has been engineered to convey materials over longer vertical and horizontal distances. The hardened alloy construction helps prevent premature wear that could occur with ordinary aluminum or stainless steel Line Vacs.

### Why The Heavy Duty Line Vac?

Many applications require the materials be transported over longer distance. The Heavy Duty Line Vac can move more material over longer lengths. They have been designed for rugged, industrial applications.

The table below gives a quick comparison of our Light Duty Line Vac, standard Line Vac, and the Heavy Duty Line Vac models. For comparison, the test shows the 2" (51mm) model of each style conveying the same material over various lengths. Heavy Duty Line Vac conveys more material in less time.

	Rock Salt Conveying Rate Comparison	
	100 Feet (30.5m)	200 Feet (61m)
Model 130200 2" (51mm) Light Duty Line Vac	166 lbs/hr. (75.3 kg/hr.)	N/A
Model 6084 2" (51mm) Line Vac	334 lbs/hr. (151.5 kg/hr.)	85 lbs/hr. (38.6 kg/hr.)
Model 150200 2" (51mm) Heavy Duty Line Vac	524 lbs/hr. (237.7 kg/hr.)	200 lbs/hr. (90.7 kg/hr.)

Horizontal conveying tested at 80 PSIG (5.5 BAR)

#### Applications

- Hopper loading
- Fiber tensioning
- Material conveying
- Waste/trim removal
- Chip removal
- Part transfer
- Filling operations

#### Advantages

- Hardened alloy construction
- Highest throughput capability
- Compact
- Quiet
- No moving parts
- Fits standard hose, tube and pipe
- Available from stock



The hardened alloy construction of the Heavy Duty Threaded Line Vac resists wear when conveying abrasive steel shot.



Metal parts are conveyed with the Model 150200 2" (51mm) Heavy Duty Line Vac as they drop off the edge of the conveyor.

Air Operated  
Conveyors

# Heavy Duty Line Vac



## Heavy Duty Threaded Line Vac

EXAIR's Heavy Duty Threaded Line Vac air operated conveyors convert ordinary pipe into a powerful conveying system for parts, scrap, trim and other bulk materials. The engineered Heavy Duty Threaded Line Vac attaches easily to ordinary NPT pipe and fittings available from any home center, hardware store or plumbers supply. With its hardened alloy construction, the Threaded Heavy Duty Line Vac withstands premature wear which could occur with aluminum and stainless steel.

## Heavy Duty Line Vac Performance

80 PSIG (5.5 BAR)	Size		Air Consumption		Vacuum		
	Model	in	mm	SCFM	SLPM	"H <sub>2</sub> O	kPa
	150075, 151075	0.75	19	26	736	-144	-36
	150100, 151100	1	25	35	991	-105	-26
	150125, 151125	1.25	32	49	1388	-83	-21
	150150, 151150	1.50	38	55	1557	-60	-15
	150200, 151200	2	51	75	2124	-42	-10

## Dimensions



**For Heavy Duty Line Vac Dimensions, see:**  
**Line Vac..... 108**  
**Threaded Line Vac ..... 114**

### Heavy Duty Line Vac Models

#### Heavy Duty Line Vac Only

**Heavy Duty Line Vac Kits** - includes the Line Vac, mounting bracket, filter separator and pressure regulator (with coupler).

Inlet/Outlet Diameter	Heavy Duty Line Vac Only Model	Heavy Duty Line Vac Kit Model	Inlet/Outlet Thread Size	Heavy Duty Threaded Line Vac Only Model	Heavy Duty Threaded Line Vac Kit Model
3/4" (19mm)	150075	152075	3/4 NPT	151075	153075
1" (25mm)	150100	152100	1 NPT	151100	153100
1-1/4" (32mm)	150125	152125	1-1/4 NPT	151125	153125
1-1/2" (38mm)	150150	152150	1-1/2 NPT	151150	153150
2" (51mm)	150200	152200	2 NPT	151200	153200

### Accessories

Model #	Description
6995	Mounting Bracket for 3/4" (19mm) and 1" (25mm) Line Vac Units
6996	Mounting Bracket for 1-1/4" (32mm) and 1-1/2" (38mm) Line Vac Units
6997	Mounting Bracket for 2" (51mm) Line Vac Unit
9001	Auto Drain Filter Separator, 3/8 NPT, 65 SCFM (1841 SLPM)
9032	Auto Drain Filter Separator, 1/2 NPT, 90 SCFM (2549 SLPM)
9002	Auto Drain Filter Separator, 3/4 NPT, 220 SCFM (6230 SLPM)
9005	Oil Removal Filter, 3/8 NPT, 15-37 SCFM (425-1048 SLPM)
9006	Oil Removal Filter, 3/4 NPT, 50-150 SCFM (1415-4248 SLPM)
9008	Pressure Regulator with Gauge, 1/4 NPT, 50 SCFM (1415 SLPM)
9033	Pressure Regulator with Gauge, 1/2 NPT, 100 SCFM (2832 SLPM)
9009	Pressure Regulator with Gauge, 3/4 NPT, 220 SCFM (6230 SLPM)

Hose is available in 10', 20', 30', 40' and 50' lengths. Select the hose model number (diameter) and indicate the length with a dash. Example: A Model 6931-20 is 1" ID Hose x 20' long.

6928-	Hose 3/8" ID
6929-	Hose 1/2" ID
6930-	Hose 3/4" ID
6931-	Hose 1" ID
6932-	Hose 1-1/4" ID
6933-	Hose 1-1/2" ID
6934-	Hose 2" ID
6935-	Hose 2-1/2" ID
6936-	Hose 3" ID



An automotive manufacturer vacuums chips from drive train differentials with a Model 150200 2" (51mm) Heavy Duty Line Vac.



Heavy Duty Line Vac Kits include a Heavy Duty Line Vac, mounting bracket, filter separator and pressure regulator (with coupler).

If you have special requirements, please contact an Application Engineer to discuss the application.

**ORDER ONLINE**  
**at EXAIR.com**

## Light Duty Line Vac™

**An effective way to convey small volumes of material over short distances!**



### What Is The Light Duty Line Vac?

EXAIR's Light Duty Line Vac is the ideal way to convey small volumes of materials over short distances. Like the Line Vac shown on page 107, the Light Duty Line Vac converts an ordinary hose or tube into a conveyor for scrap, trim and bulk materials.

### Why The Light Duty Line Vac?

When lower throughputs at short distances are desired, the Light Duty Line Vac is a good choice. This simplified design utilizes a two-part threaded construction to provide effective conveying at a lower cost. Air consumption is reduced to a volume appropriate for moving small volumes of material at short distances. Conveying rates are easy to control by regulating the compressed air supply pressure.

The Light Duty Line Vac features inlet and outlet diameters common to hose and tube sizes. Eight sizes for diameters from 3/4" to 6" (19 to 152mm) are available. Standard construction is aluminum. (For corrosion resistant stainless steel models that are suitable for high temperature and food service, please see Line Vac models on page 112.) No moving parts or electricity assures maintenance free operation. (If higher conveying rates or mounting brackets are desired, see the Line Vac models on page 112.)



See page 2 for complete details.



The low cost Model 130200 2" (51mm) Light Duty Line Vac conveys fibers to fill pillows, stuffed animals, diapers, etc.

Air Operated  
Conveyors

### Applications

- Hopper loading
- Fiber tensioning
- Material conveying
- Waste/trim removal
- Chip removal
- Part transfer
- Filling operations

### Advantages

- Compact
- Quiet
- No moving parts
- Fits standard hose or tube
- Aluminum
- Eight sizes
- Moderate throughput capability



A Model 130125 1-1/4" (32mm) Light Duty Line Vac can fill or empty the packing peanuts from shipping cartons.

# Light Duty Line Vac



Light Duty Line Vacs are available in eight sizes for diameters from 3/4" to 6" (19 to 152mm).

Light Duty Line Vac Dimensions								
Model		A	B	C	D	E	F	G
130075	in	0.75	0.50	1.88	4.53	2.31	1.06	1/4
	mm	19	13	48	115	59	27	NPT
130100	in	1	0.75	2.13	4.53	2.41	1.06	1/4
	mm	25	19	54	115	61	27	NPT
130125	in	1.25	1	2.38	4.53	2.41	1.06	1/4
	mm	32	25	60	115	61	27	NPT
130150	in	1.50	1.25	2.75	4.63	2.41	1.06	3/8
	mm	38	32	70	117	61	27	NPT
130200	in	2	1.75	3.25	4.66	2.47	1.06	3/8
	mm	51	45	83	118	63	27	NPT
130300	in	3	2.75	4.25	5.06	2.75	1.06	3/8
	mm	76	70	108	129	70	27	NPT
130400	in	4	3.75	5.25	5.06	2.75	1.06	1/2
	mm	102	95	133	129	70	27	NPT
130600	in	6	5.75	7.38	5.56	2.88	1.06	1/2
	mm	152	146	187	141	73	27	NPT

## Light Duty Line Vac Systems

### Light Duty Line Vac Models

#### Light Duty Line Vac Only

**Light Duty Line Vac Kits** - includes the Light Duty Line Vac, filter separator and pressure regulator (with coupler).

Inlet/Outlet Diameter	Light Duty Line Vac Only Model	Light Duty Line Vac Kit Model
3/4" (19mm)	130075	132075
1" (25mm)	130100	132100
1-1/4" (32mm)	130125	132125
1-1/2" (38mm)	130150	132150
2" (51mm)	130200	132200
3" (76mm)	130300	132300
4" (102mm)	130400	132400
6" (152mm)	130600	132600

### Accessories

Model	Description
9001	Auto Drain Filter Separator, 3/8 NPT, 65 SCFM (1841 SLPM)
9002	Auto Drain Filter Separator, 3/4 NPT, 220 SCFM (6230 SLPM)
9005	Oil Removal Filter, 3/8 NPT, 15-37 SCFM (425-1048 SLPM)
9006	Oil Removal Filter, 3/4 NPT, 50-150 SCFM (1415-4248 SLPM)
9008	Pressure Regulator with Gauge, 1/4 NPT, 50 SCFM (1415 SLPM)
9009	Pressure Regulator with Gauge, 3/4 NPT, 220 SCFM (6230 SLPM)

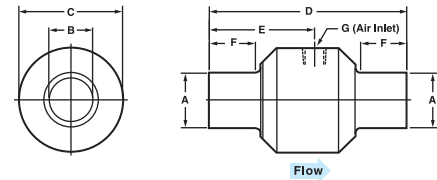
Hose is available in 10', 20', 30', 40' and 50' lengths. Select the hose model number (diameter) and indicate the length with a dash. Example: A Model 6931-20 is 1" ID Hose x 20' long.

6928-	Hose 3/8" ID
6929-	Hose 1/2" ID
6930-	Hose 3/4" ID
6931-	Hose 1" ID
6932-	Hose 1-1/4" ID
6933-	Hose 1-1/2" ID
6934-	Hose 2" ID
6935-	Hose 2-1/2" ID
6936-	Hose 3" ID



Kits include a Light Duty Line Vac, filter separator and pressure regulator (with coupler).

**DOWNLOAD** drawings at EXAIR.com



## Light Duty Performance

Model	80 PSIG (5.5 BAR) Air Consumption	
	SCFM	SLPM
130075	7.30	207
130100	10.70	303
130125	14.70	501
130150	20	566
130200	27.50	778
130300	45	1274
130400	58.50	1656
130600	80.20	2270



PVC hose is available in lengths up to 50' (15.2m) and diameters up to 3" (76mm).

**GO GREEN** Order EXAIR's EFC™ electronic flow control to minimize compressed air use. **SAVE MONEY** See page 4 for details.

**ORDER ONLINE**  
at EXAIR.com

**Order Direct**  
We Ship From Stock

p:1-800-903-9247 f:1-866-329-3924

118 **Order Direct**  
We Ship From Stock

For Technical Assistance, Call An EXAIR Application Engineer 1-800-903-9247  
Toll Free FAX (866) 329-3924 • E-mail: techhelp@exair.com • www.exair.com

f t @EXAIR