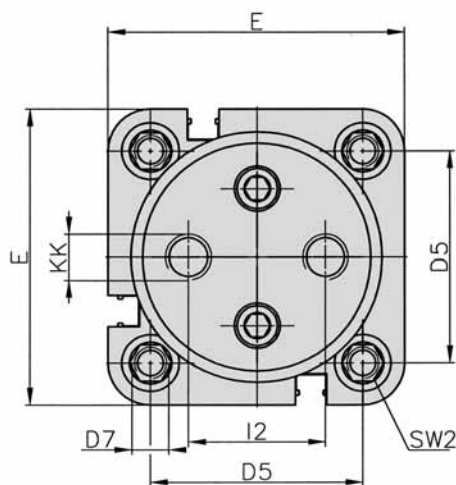


Pneumatic cylinders, piston-Ø 32 – 63 mm
with twin piston rod (non-rotating)

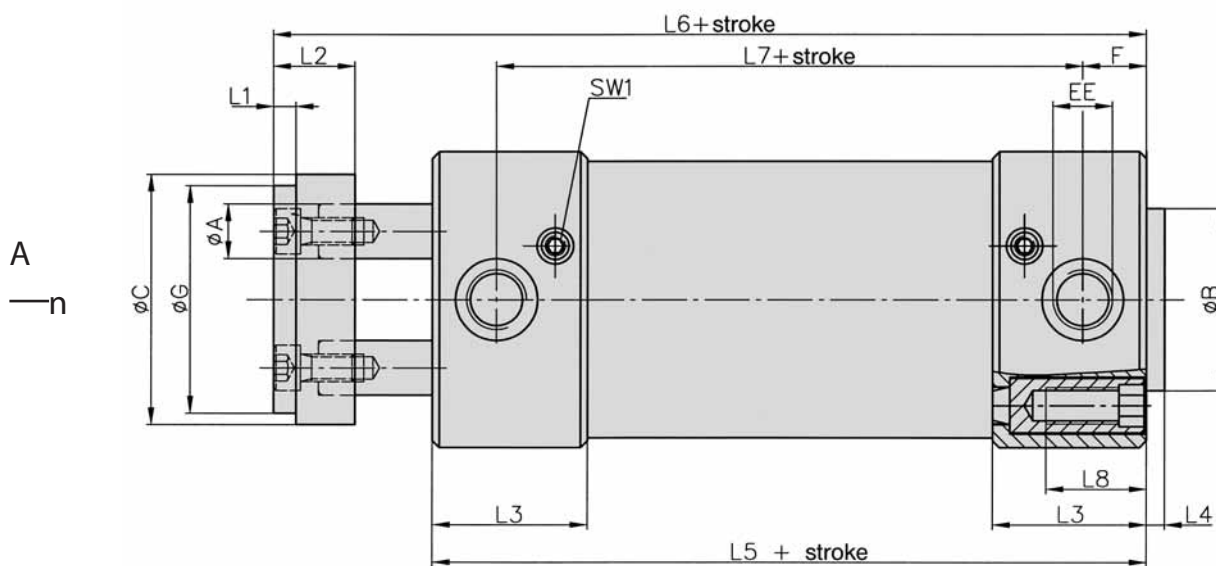


Dimensions for series

XL21



view A



Piston-Ø	Ø A	Ø B	Ø C	D5	D7	E	EE	F	Ø G	I2	KK
32	8	30	35	32.5	M6	46.5	G 1/8	12	32	19	M6
40	10	35	45	38	M6	53	G 1/4	17	40	22.5	M8
50	12	40	55	46.5	M8	65	G 1/4	14	50	30	M8
63	16	45	70	56.5	M8	75	G 3/8	14	63	38	M10

Piston-Ø	L1	L2	L3	L4	L5	L6	L7	L8	SW 1	SW 2
32	4	15	28.8	4	100	128	76	16.5	3	6
40	4	15	33	4	114	142	88	16.5	3	6
50	5	18	33.8	4	116	151	88	22	3	8
63	5	22	35	4	124	161	96	22	3	8

Piston-Ø	32	40	50	63
Mass at 0 mm stroke in kg	0.725 (1.598 lbs.)	1.088 (2.398 lbs.)	1.575 (3.472 lbs.)	2.597 (5.725 lbs.)
add-on per 100 mm stroke	0.277 (0.610 lb.)	0.370 (0.815 lb.)	0.464 (1.023 lbs.)	0.669 (1.475 lbs.)