

VTC Series

- Max. vacuum level : -93 kPa (-27.46 inHg)
- Max. flow rate : 1,364 NI/min (48.17 scfm)
- Supply air pressure : 3 ~ 6 bar, max 7 bar
(43.5~87 psi, max 101.5 psi)
- Air consumption : 194~608 NI/min (6.85~21.47 scfm)
- Supply air type : Dry compressed air
- Working temperature : -20°C to +80°C
- Noise level : 60~65 dBA



Main advantages

- Patented design.
- High vacuum flow and vacuum level.
- High operational reliability despite fluctuating or low compressed-air pressure.
- Intergrated high dirt holding capacity pleated filter.
- Automatic vacuum filter cleaning system.
- Compact size and light weight.
- Minimize energy consumption with AS-KIT (Air-saving kit)
- Air control / Vacuum release valves and Vacuum switch available.
- Easily mountable and interchangeable vacuum cartridge
- Long life time.



▲ BUS Cable

Order No.

VTC 3134 - 2 - AS - A3 R3 - CL - S2 N V

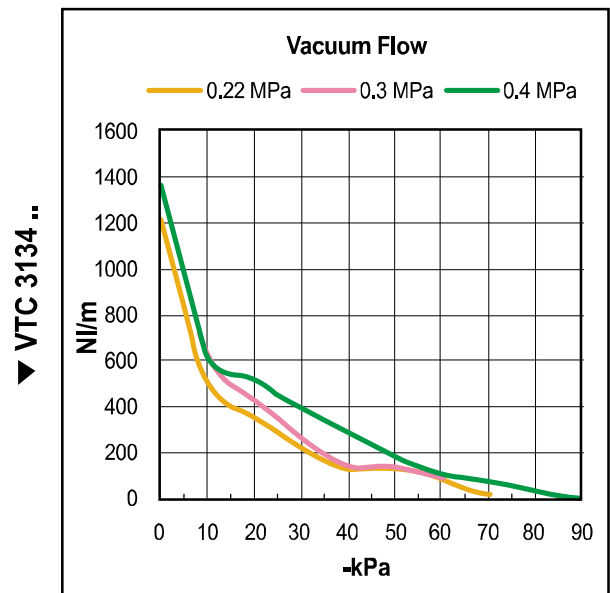
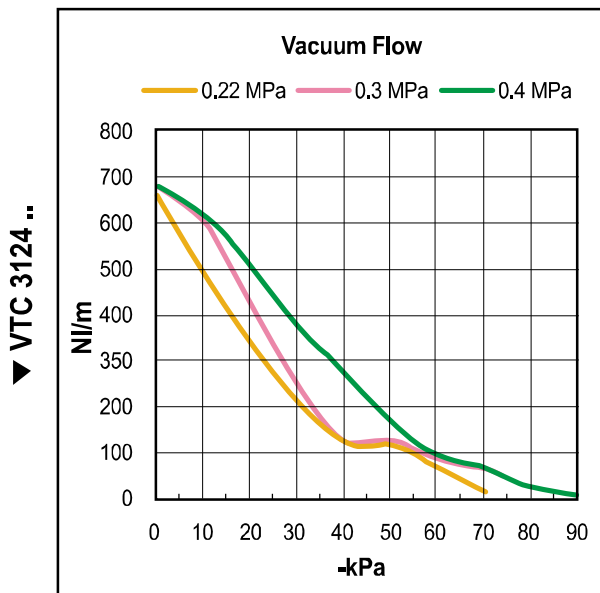
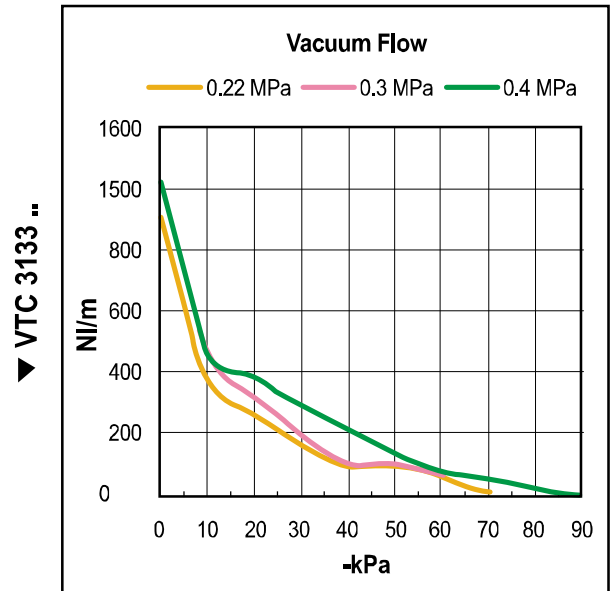
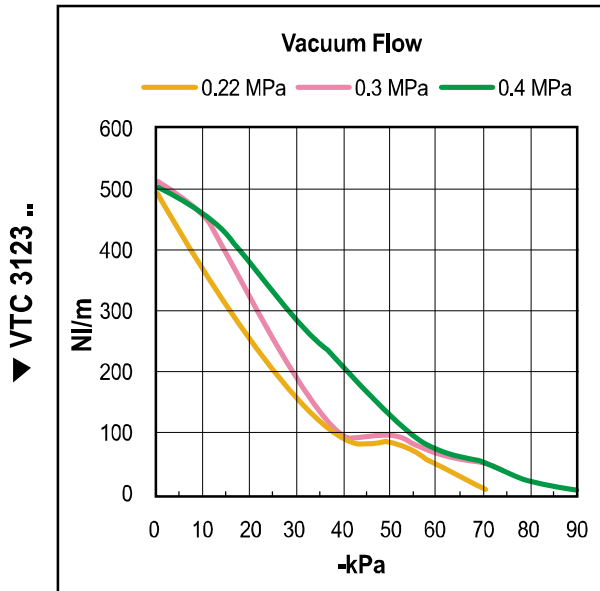
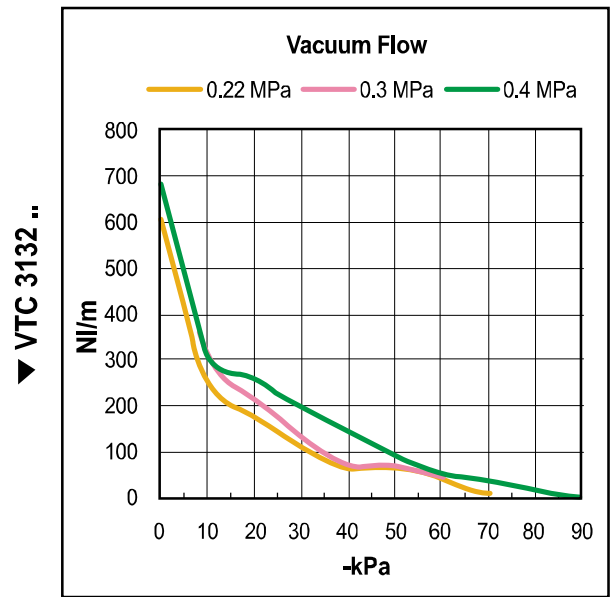
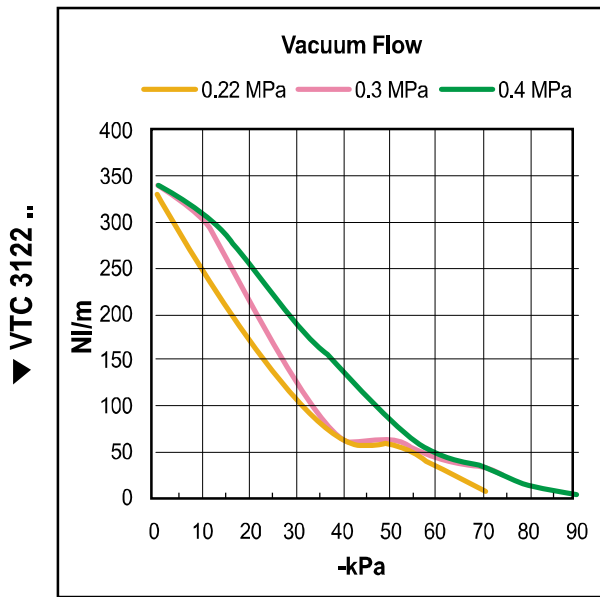
	①	②	③	④	⑤	⑥	⑦	⑧	⑨							
① Series	<table border="1" style="width: 100%; border-collapse: collapse;"> <tr><td>VTC3122 - 2 stage nozzle x 2 ea</td></tr> <tr><td>VTC3123 - 2 stage nozzle x 3 ea</td></tr> <tr><td>VTC3124 - 2 stage nozzle x 4 ea</td></tr> <tr><td>VTC3132 - 3 stage nozzle x 2 ea</td></tr> <tr><td>VTC3133 - 3 stage nozzle x 3 ea</td></tr> <tr><td>• VTC3134 - 3 stage nozzle x 4 ea</td></tr> </table>		VTC3122 - 2 stage nozzle x 2 ea	VTC3123 - 2 stage nozzle x 3 ea	VTC3124 - 2 stage nozzle x 4 ea	VTC3132 - 3 stage nozzle x 2 ea	VTC3133 - 3 stage nozzle x 3 ea	• VTC3134 - 3 stage nozzle x 4 ea	⑤ Voltage of vacuum release control valve		⑦ Vacuum switch					
VTC3122 - 2 stage nozzle x 2 ea																
VTC3123 - 2 stage nozzle x 3 ea																
VTC3124 - 2 stage nozzle x 4 ea																
VTC3132 - 3 stage nozzle x 2 ea																
VTC3133 - 3 stage nozzle x 3 ea																
• VTC3134 - 3 stage nozzle x 4 ea																
			<table border="1" style="width: 100%; border-collapse: collapse;"> <tr><td>R1 - AC110V</td></tr> <tr><td>R2 - AC220V</td></tr> <tr><td>• R3 - DC24V</td></tr> </table>		R1 - AC110V	R2 - AC220V	• R3 - DC24V	<table border="1" style="width: 100%; border-collapse: collapse;"> <tr><td>No mark - Vacuum gauge.</td></tr> <tr><td>• S2(P) - Digital display output 2points, No analog supply M8-4Pin Connector type 0.3m lead wire.</td></tr> <tr><td>SG2(P) - Digital display output 2 points, No analog supply Grommet type 4-Core 2m lead wire.</td></tr> <tr><td>SG3(P) - Digital display output 2 points, Analog supply Grommet type 5-Core 2m lead wire.</td></tr> </table>		No mark - Vacuum gauge.	• S2(P) - Digital display output 2points, No analog supply M8-4Pin Connector type 0.3m lead wire.	SG2(P) - Digital display output 2 points, No analog supply Grommet type 4-Core 2m lead wire.	SG3(P) - Digital display output 2 points, Analog supply Grommet type 5-Core 2m lead wire.			
R1 - AC110V																
R2 - AC220V																
• R3 - DC24V																
No mark - Vacuum gauge.																
• S2(P) - Digital display output 2points, No analog supply M8-4Pin Connector type 0.3m lead wire.																
SG2(P) - Digital display output 2 points, No analog supply Grommet type 4-Core 2m lead wire.																
SG3(P) - Digital display output 2 points, Analog supply Grommet type 5-Core 2m lead wire.																
② Filter element & Connection port	<table border="1" style="width: 100%; border-collapse: collapse;"> <thead> <tr> <th>Material</th> <th>Connection port</th> </tr> </thead> <tbody> <tr> <td>• 2 Polyester (PE)</td> <td>BSP Thread(G)</td> </tr> </tbody> </table>		Material	Connection port	• 2 Polyester (PE)	BSP Thread(G)	⑥ Solenoid Terminal		⑧ Non-return valve							
Material	Connection port															
• 2 Polyester (PE)	BSP Thread(G)															
			<table border="1" style="width: 100%; border-collapse: collapse;"> <tr><td>DN - DIN type without lead wire</td></tr> <tr><td>DL - DIN type with lamp without lead wire</td></tr> <tr><td>• CL* - Connector type with lamp & 0.3 m lead wire</td></tr> <tr><td>2B* - DIN type with '2 in 1' BUS cable (Air control v/v + Vacuum release v/v)</td></tr> <tr><td>3B* - DIN type with '3 in 1' BUS cable (Air control v/v + Vacuum release v/v + Digital switch)</td></tr> </table>		DN - DIN type without lead wire	DL - DIN type with lamp without lead wire	• CL* - Connector type with lamp & 0.3 m lead wire	2B* - DIN type with '2 in 1' BUS cable (Air control v/v + Vacuum release v/v)	3B* - DIN type with '3 in 1' BUS cable (Air control v/v + Vacuum release v/v + Digital switch)	<table border="1" style="width: 100%; border-collapse: collapse;"> <tr><td>No mark - Standard</td></tr> <tr><td>• N - Non-return valve.</td></tr> </table>		No mark - Standard	• N - Non-return valve.			
DN - DIN type without lead wire																
DL - DIN type with lamp without lead wire																
• CL* - Connector type with lamp & 0.3 m lead wire																
2B* - DIN type with '2 in 1' BUS cable (Air control v/v + Vacuum release v/v)																
3B* - DIN type with '3 in 1' BUS cable (Air control v/v + Vacuum release v/v + Digital switch)																
No mark - Standard																
• N - Non-return valve.																
③ Air saving kit (108)	<table border="1" style="width: 100%; border-collapse: collapse;"> <tr><td>No mark - Not attached</td></tr> <tr><td>• AS - Attached</td></tr> </table>		No mark - Not attached	• AS - Attached	* Can not available with double solenoid valve		⑨ Sealing									
No mark - Not attached																
• AS - Attached																
			※ Remark CL : Available only with DC24V 3B : Available only with DC24V Available only with 'S2' or 'S2P', section ⑦ ☞ About 'BUS cable' (340, 341)		<table border="1" style="width: 100%; border-collapse: collapse;"> <tr><td>No mark - Standard</td></tr> <tr><td>• V - Viton®</td></tr> <tr><td>E - EPDM</td></tr> </table>		No mark - Standard	• V - Viton®	E - EPDM							
No mark - Standard																
• V - Viton®																
E - EPDM																
④ Voltage of air supply control valve	<table border="1" style="width: 100%; border-collapse: collapse;"> <tr><td>A1 - AC110V</td></tr> <tr><td>A2 - AC220V</td></tr> <tr><td>• A3 - DC24V</td></tr> <tr><td>D1* - AC110V</td></tr> <tr><td>D2* - AC220V</td></tr> <tr><td>D3* - DC24V</td></tr> </table>		A1 - AC110V	A2 - AC220V	• A3 - DC24V	D1* - AC110V	D2* - AC220V	D3* - DC24V			※ Remark: ① S..(P) ↳ Output type :PNP open collector ② VCM8 42 : M8-4Pin connector wire. Only for type S2 or S2(P).					
A1 - AC110V																
A2 - AC220V																
• A3 - DC24V																
D1* - AC110V																
D2* - AC220V																
D3* - DC24V																
	* D. : Double solenoid valve is available only with 'DN' or 'DL', section ⑥															

Performance Data

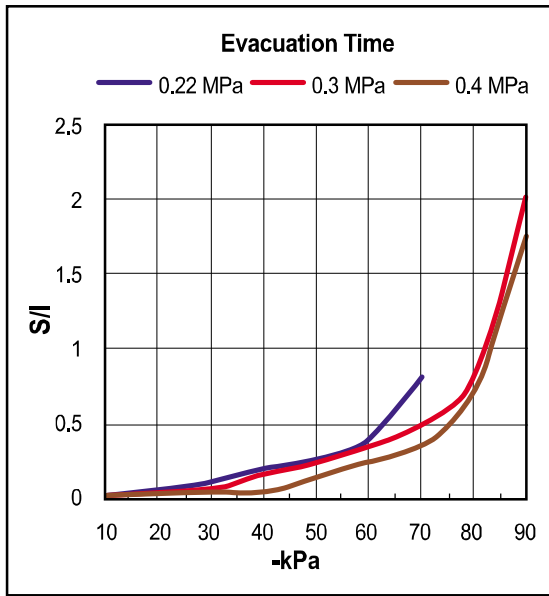
Model	MAX. Vacuum (-kPa)	Feed pressure (MPa)	Vacuum flow, NI/min, at different vacuum levels -kPa (-mmHg)									
			0 (0)	10 (75)	20 (150)	30 (225)	40 (300)	50 (375)	60 (450)	70 (525)	80 (600)	90 (675)
VTC 3122	75	0.22	328	245	176	106	62.8	57	33	9.2	-	-
	93	0.3	340	304	212	128	66	64	44	33	12.8	3.8
	93	0.4	342	308	255	188	138	86	46.6	34.6	13.8	4.2
VTC 3123	75	0.22	492	367	264	159	94	86	50	14	-	-
	93	0.3	510	456	318	192	99	96	66	50	19	6
	93	0.4	513	462	383	282	207	129	70	52	21	6.3
VTC 3124	75	0.22	656	490	352	212	126	114	66	18	-	-
	93	0.3	680	608	424	256	132	128	88	66	26	7.6
	93	0.4	684	616	510	376	276	172	93	69	28	8.4
VTC 3132	75	0.22	604	245	176	106	62.8	57	33	9.2	-	-
	93	0.3	676	304	212	128	66	64	44	33	12.8	3.8
	93	0.4	682	308	255	188	138	86	46.6	34.6	13.8	4.2
VTC 3133	75	0.22	902	368	264	159	94	86	50	14	-	-
	93	0.3	1014	456	318	192	99	96	66	50	19	6
	93	0.4	1023	462	383	282	207	129	70	52	21	6.3
VTC 3134	75	0.22	1208	490	352	212	126	114	66	18	-	-
	93	0.3	1352	608	424	256	132	128	88	66	26	7.6
	93	0.4	1364	616	510	376	276	172	93	69	28	8.4

Model	Feed pressure (MPa)	Air consumption (NI/min)	Time, s/l, to evacuate a volume to different vacuum levels -kPa (-mmHg)								
			10 (75)	20 (150)	30 (225)	40 (300)	50 (375)	60 (450)	70 (525)	80 (600)	90 (675)
VTC 3122	0.22	194	0.018	0.065	0.108	0.2	0.25	0.395	0.81	-	-
	0.3	236	0.016	0.05	0.07	0.16	0.23	0.34	0.5	0.795	2.01
	0.4	304	0.014	0.029	0.043	0.05	0.13	0.25	0.355	0.71	1.75
VTC 3123	0.22	291	0.01	0.04	0.07	0.13	0.16	0.24	0.54	-	-
	0.3	354	0.009	0.03	0.06	0.1	0.13	0.21	0.26	0.4	1.27
	0.4	456	0.008	0.019	0.03	0.033	0.08	0.16	0.23	0.35	1.17
VTC 3124	0.22	388	0.008	0.03	0.05	0.095	0.12	0.18	0.4	-	-
	0.3	472	0.007	0.025	0.048	0.08	0.1	0.16	0.2	0.3	0.95
	0.4	608	0.006	0.015	0.023	0.025	0.06	0.12	0.17	0.26	0.87
VTC 3132	0.22	194	0.011	0.043	0.05	0.17	0.23	0.38	0.81	-	-
	0.3	236	0.01	0.032	0.045	0.15	0.22	0.33	0.48	0.78	1.98
	0.4	304	0.01	0.026	0.037	0.047	0.12	0.23	0.35	0.7	1.72
VTC 3133	0.22	291	0.006	0.03	0.038	0.1	0.14	0.24	0.54	-	-
	0.3	354	0.005	0.02	0.03	0.09	0.12	0.21	0.24	0.4	1.27
	0.4	456	0.004	0.01	0.02	0.03	0.06	0.14	0.2	0.33	1.13
VTC 3134	0.22	388	0.005	0.02	0.027	0.08	0.1	0.18	0.4	-	-
	0.3	472	0.004	0.018	0.02	0.07	0.09	0.16	0.2	0.3	0.95
	0.4	608	0.003	0.01	0.01	0.02	0.05	0.1	0.15	0.25	0.85

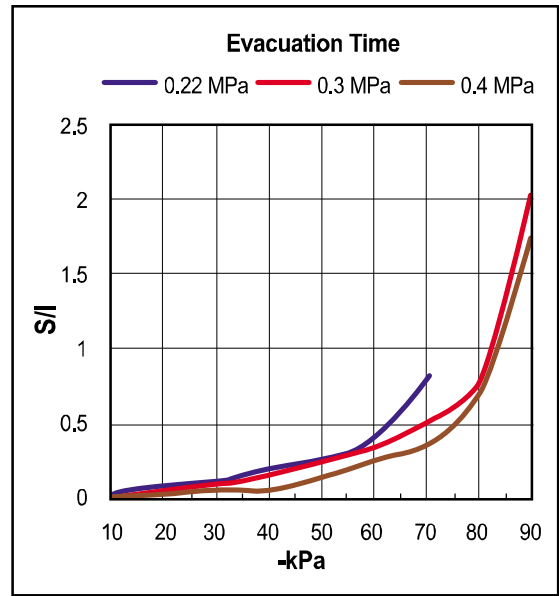
VACUUM PUMPS



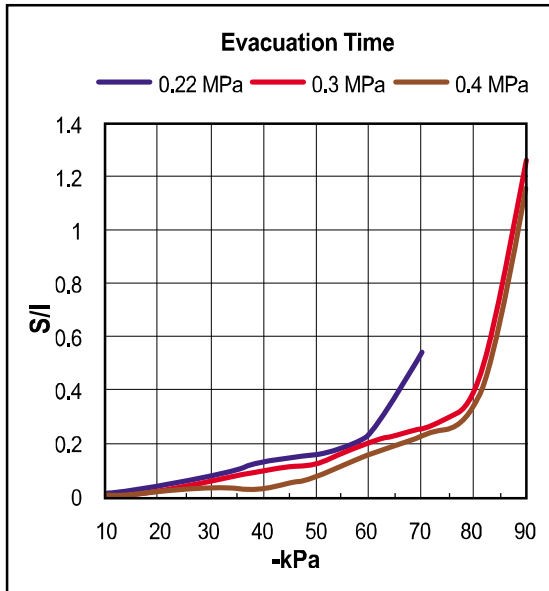
▼ VTC 3123 ..



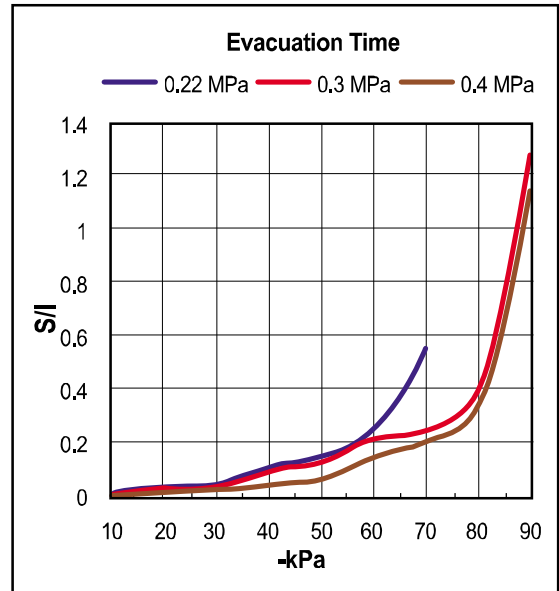
▼ VTC 3123 ..



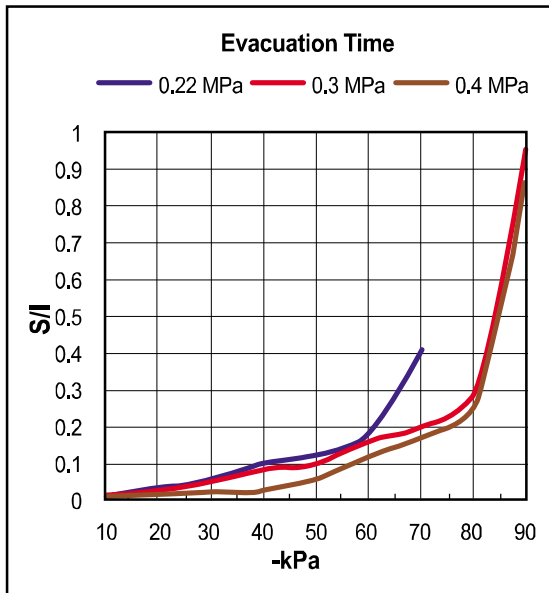
▼ VTC 3123 ..



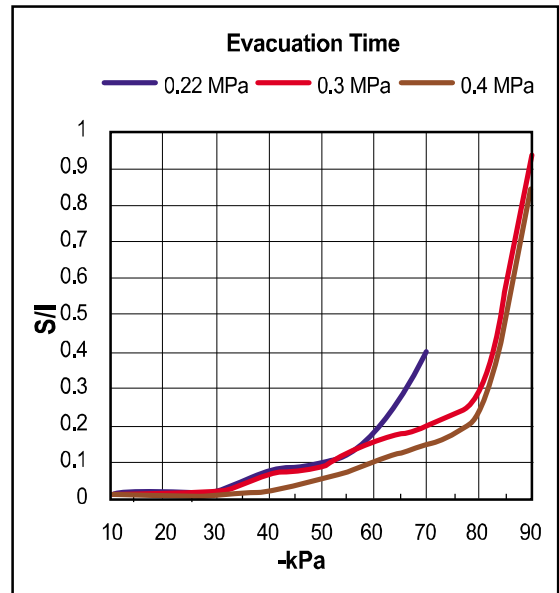
▼ VTC 3133 ..



▼ VTC 3124 ..



▼ VTC 3134 ..



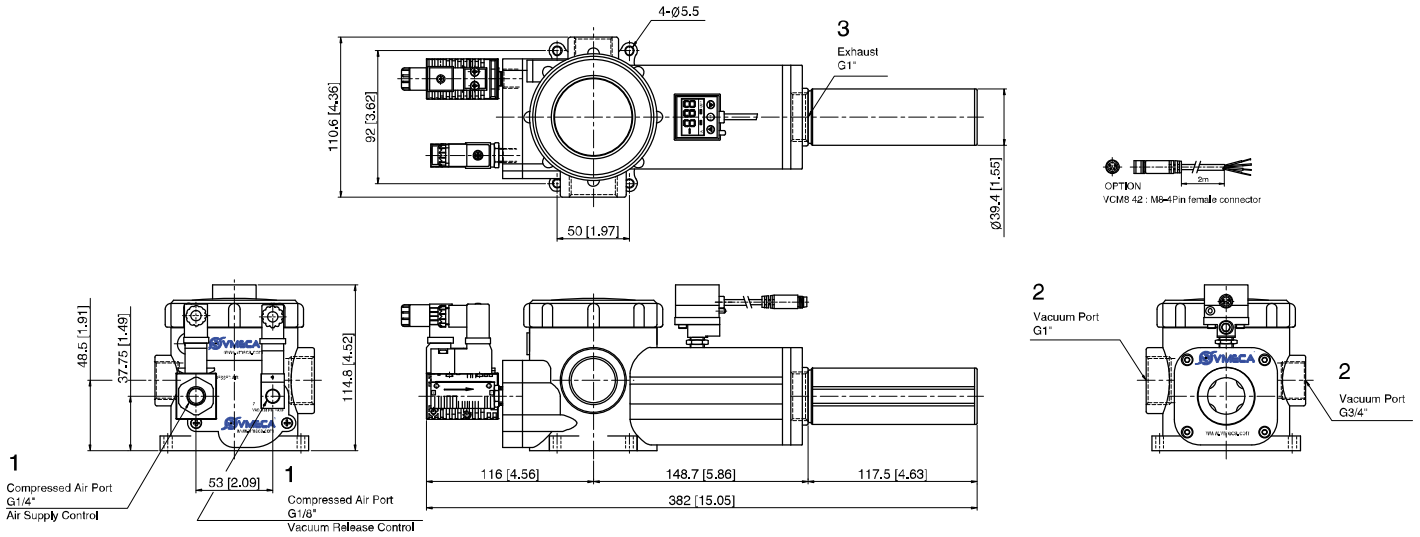
VACUUM PUMPS



Dimensional Information

With Air Control valve, Vacuum Release Control valve and Digital Vacuum Switch

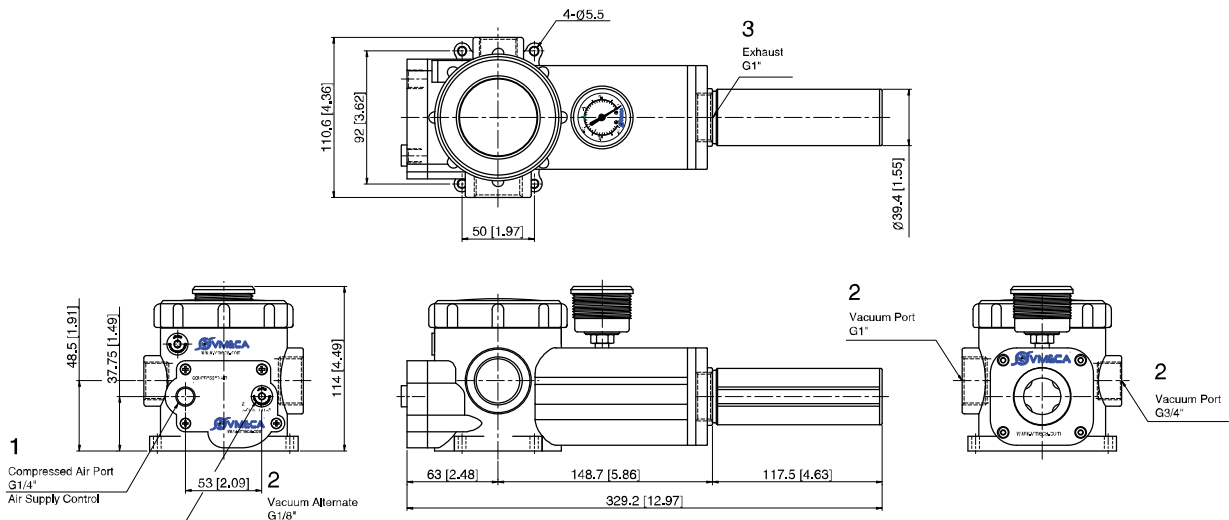
▼ Series VTC 313().. / VTCL 313()..



Measure unit : mm [in]

Standard

▼ Series VTC 313().. / VTCL 313()..

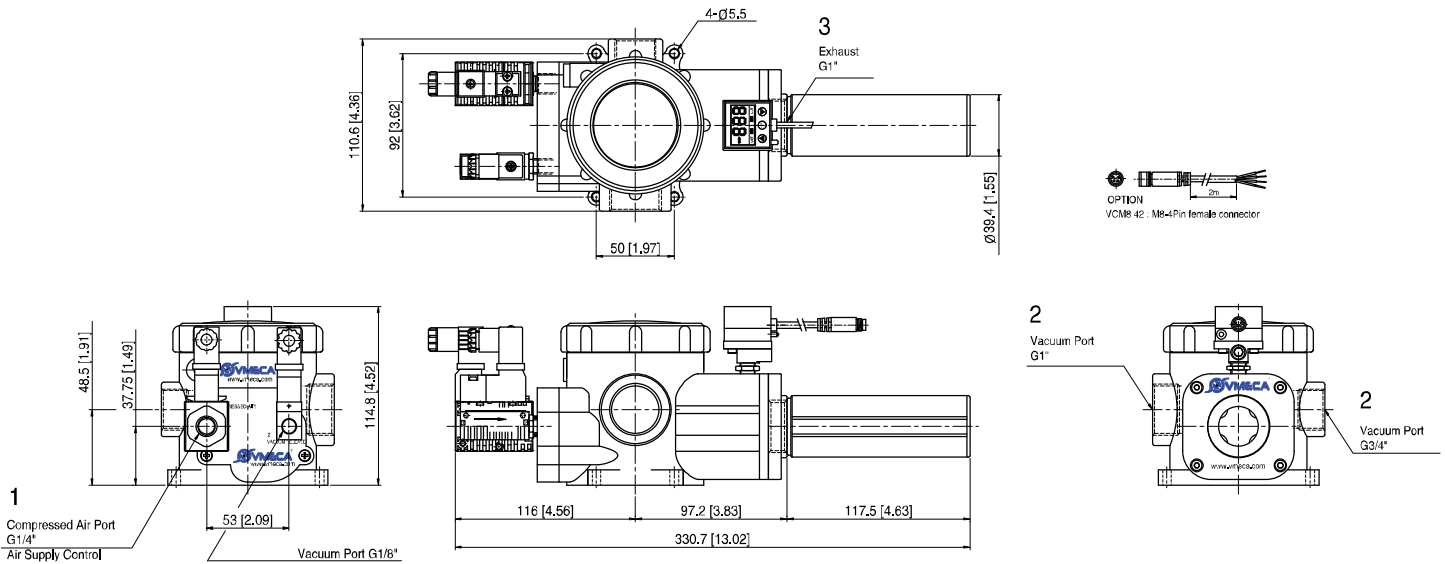


Measure unit : mm [in]

Dimensional Information

With Air Control valve, Vacuum Release Control valve and Digital Vacuum Switch

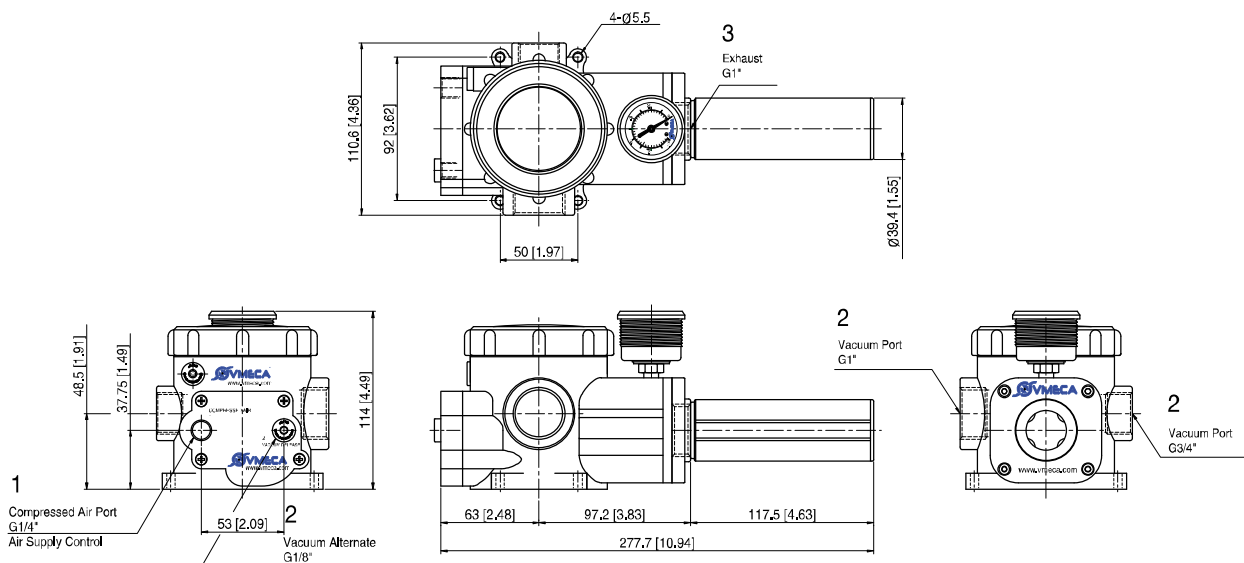
▼ Series VTC 312().. / VTCL 312()..



Measure unit : mm [in]

Standard

▼ Series VTC 312().. / VTCL 312()..



Measure unit : mm [in]