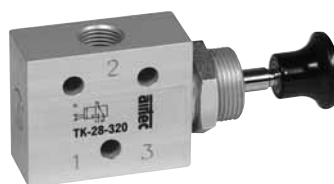
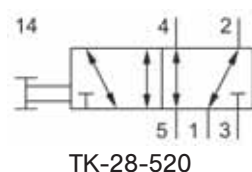
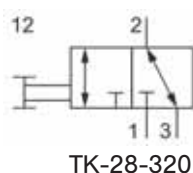
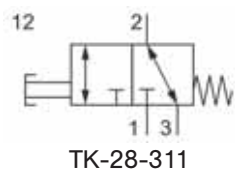


Technical data for series

# TK-28



### Design and function

All ports are interchangeable.

TK-28-311 and TK-28-320: Pressure inlet on 1: N/C

Pressure inlet on 3: N/O

Throttle can be mounted in the exhaust port. The mounting nut RM-16, M 16 x 1.5, is included.

Order number	TK-28-311	TK-28-320	TK-28-520
<b>Design and function</b>	3/2-way, spool valve, spring return	3/2-way, spool valve, manually operated	5/2-way, spool valve, manually operated
<b>Connection</b>	G 1/8		
<b>Nominal size</b>	4 mm		
<b>Flow rate</b>	500 NI/min (0.508 Cv)		480 NI/min (0.488 Cv)
<b>Pressure range</b>	2 ... 10 bar (29 ... 145 psi)		
<b>Actuating force at 6 bar</b>	11 N	3 N	4 N
<b>Temperature range</b>	- 10 °C ... + 70 °C (+ 14 °F ... + 158 °F)		
<b>Materials</b>	Body: Al (anodized), Inner parts: Al, stainless steel, brass		
	Seals: NBR		Seals: NBR
<b>Weight</b>	0,048 kg (0.106 lb.)		0,066 kg (0.145 lb.)

# Manually operated valves 3/2- and 5/2-way, G 1/8

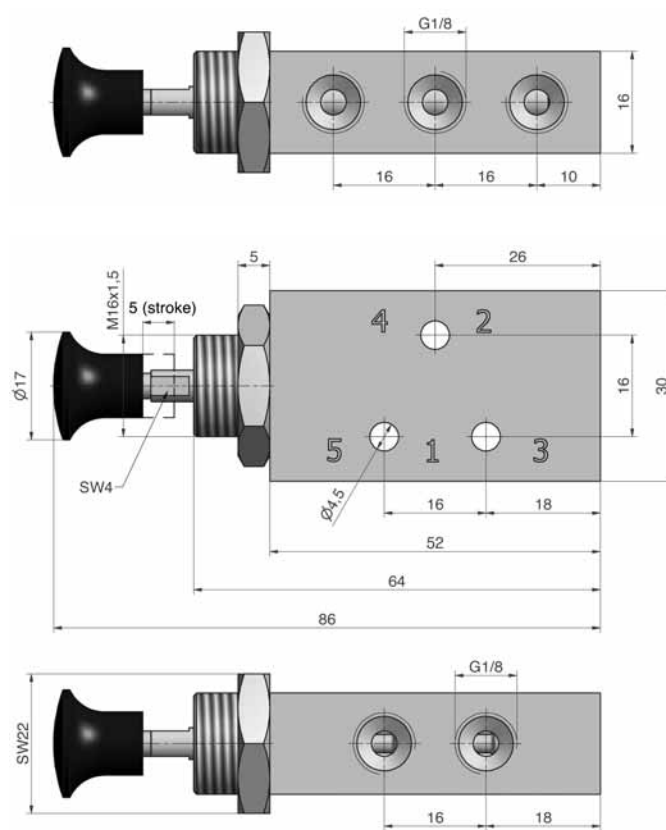
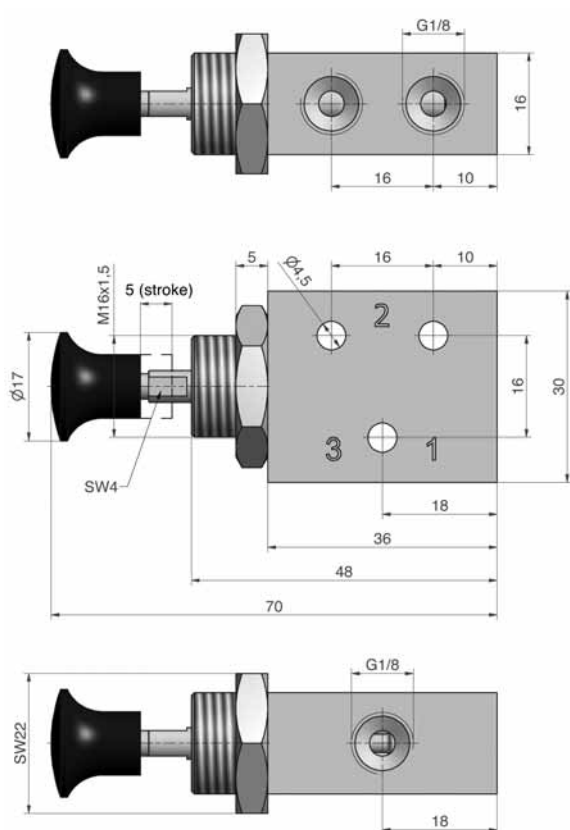


Dimensions for series

## TK-28

3/2-way valve G 1/8,  
Order number TK-28-311 and TK-28-320

5/2-way valve G 1/8,  
Order number TK-28-520



1, 3 = pressure inlet or exhaust  
2 = outlet

1 = pressure inlet  
2 = outlet  
3 = exhaust  
4 = outlet  
5 = exhaust