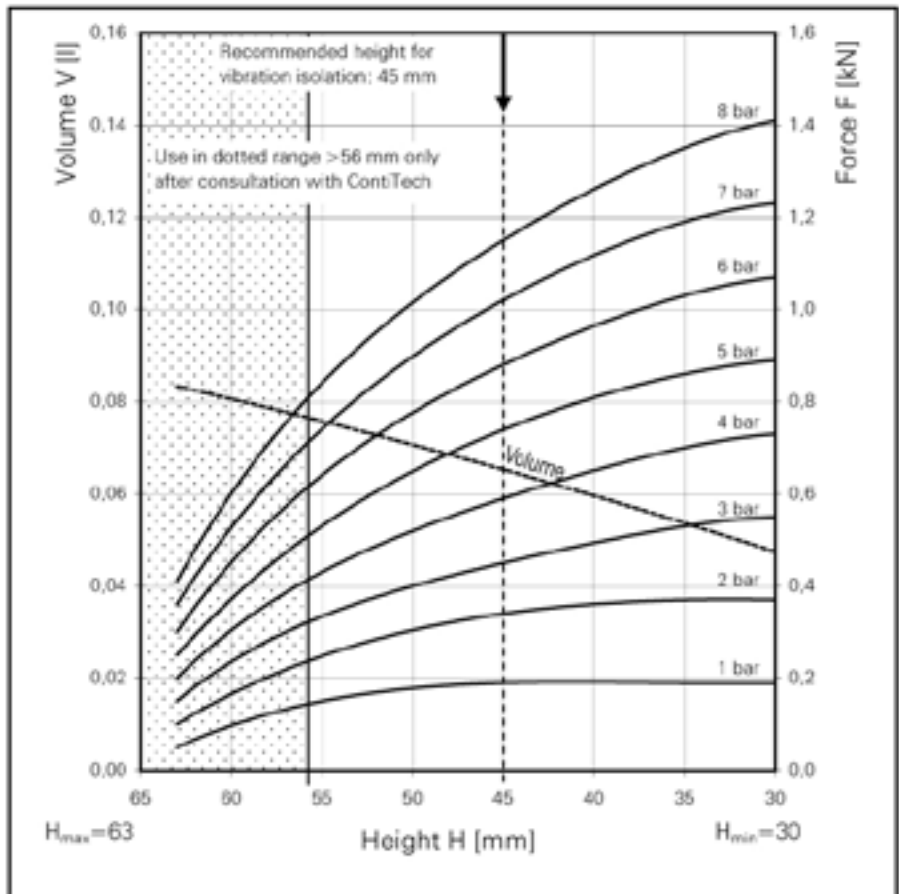
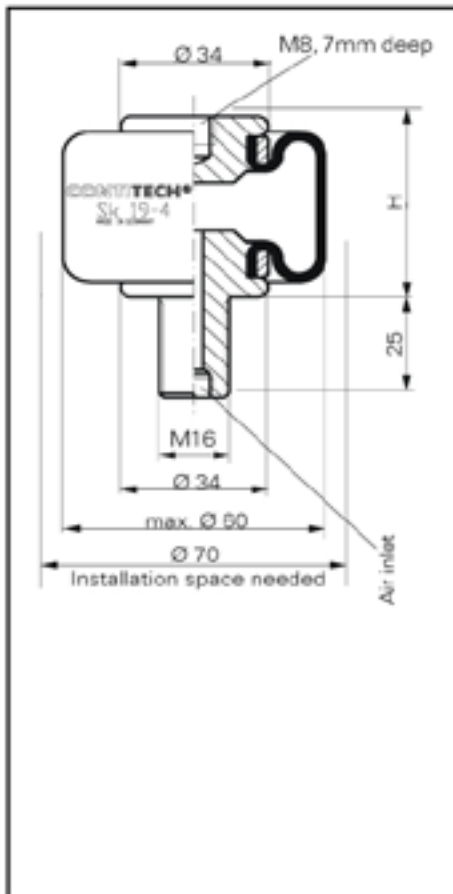


# SK 19-4

# CONTI® Sleeve Type Air Spring



SK 19-4

Force-height diagram

## Purchase order data

Type	Order No.
With G 1/8 air inlet	61956

## Technical data

Min. pressure	0 bar
Return force to min. height	≤ 22 N
Overall weight with clamped plates	0.07 kg

Additional types on request

## Vibration isolation - dynamic characteristic values

Design height H: recommended 45mm, minimum 30mm

Pressure p [bar]	3	4	5	6	7	8	Vol V [l]
Force (Load) [kN]	0.45	0.59	0.72	0.88	1.02	1.15	
Spring rate [N/cm]	210	260	310	360	410	460	
Natural frequency [Hz]	3.4	3.3	3.3	3.2	3.2	3.2	

## Pneumatic application - static characteristic values

Force F [kN]

Pressure p [bar]	3	4	5	6	7	8	Vol. (l)	
Height H [mm]	55	0.33	0.43	0.53	0.64	0.74		0.84
	45	0.45	0.59	0.74	0.88	1.02		1.15
	35	0.53	0.7	0.86	1.03	1.19	1.35	

Service instructions  
 MB = 3.5 Nm  
 M16 = 11-14 Nm  
 G 1/8 = Handtight plus one turn

**AIRTEC Pneumatic Sweden AB**

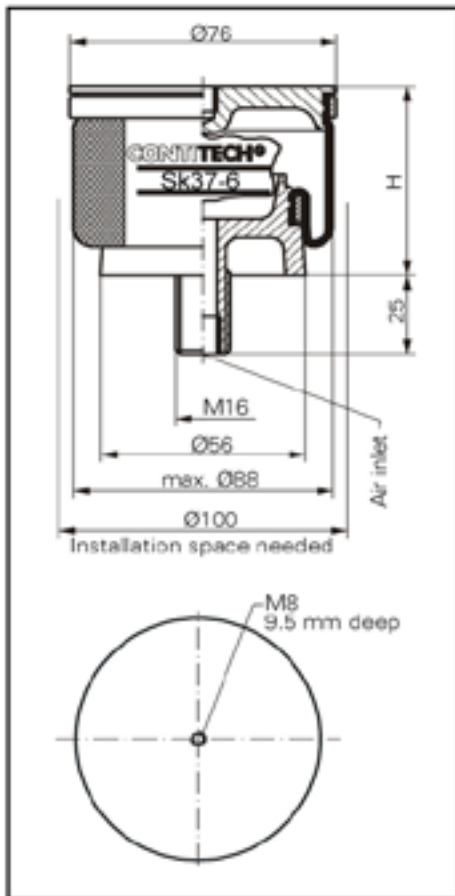
Box 120, Gerfasts väg 6  
 SE-283 22 OSBY, Sweden

Telefon 0479 - 126 00  
 Telefax 0479 - 127 19

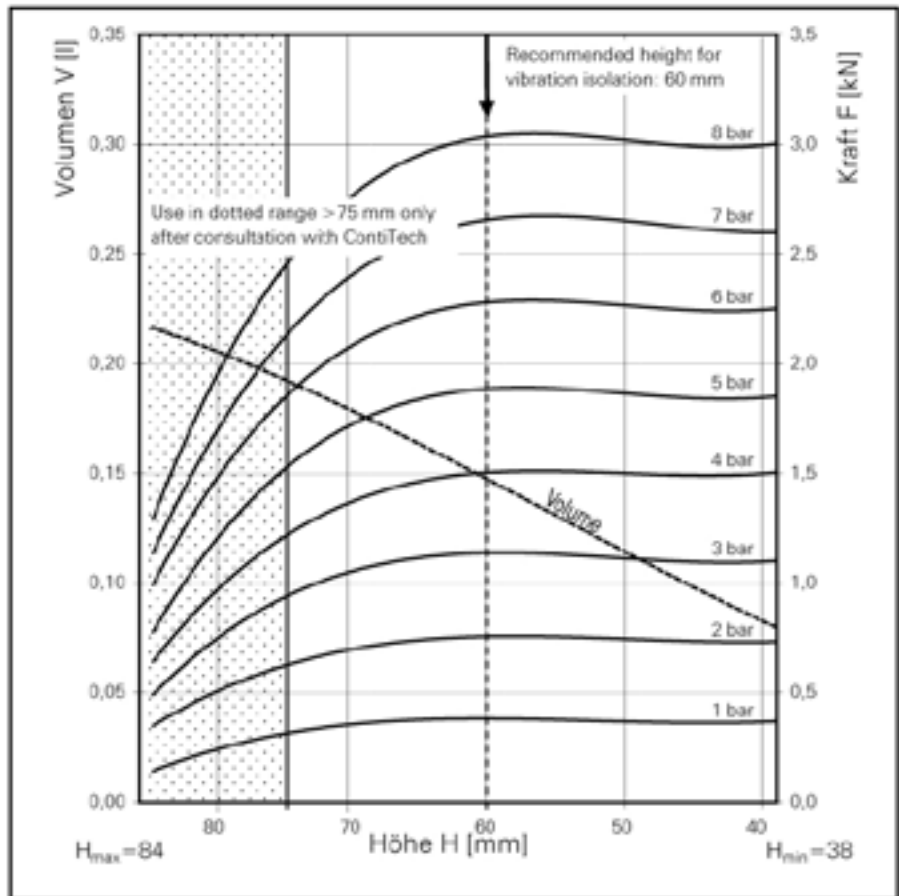
www.airtec.se  
 mail@airtec.se

# SK 37-6

# CONTI® Sleeve Type Air Spring



SK 37-6



Force-height diagram

## Purchase order data

Type	Order No.
With G 1/8 air inlet	61333

Additional types on request

## Technical data

Min. pressure	0 bar
Return force to min. height	≤ 150 N
Overall weight with clamped plates	0.21 kg

## Vibration isolation - dynamic characteristic values

Design height H: recommended 60mm

Pressure p [bar]	3	4	5	6	7	8	Vol. V [l]
Force (Load) [kN]	1.2	1.5	1.9	2.3	2.7	3.1	0.15
Spring rate [N/cm]	335	430	530	625	720	820	
Natural frequency [Hz]	2.7	2.7	2.7	2.6	2.6	2.6	

## Pneumatic application - static characteristic values

Force F [kN]

Pressure p [bar]	3	4	5	6	7	8	Vol. [l]	
Height H [mm]	70	1.1	1.4	1.7	2.1	2.4	2.8	0.18
	60	1.2	1.5	1.9	2.3	2.7	3.1	0.15
	50	1.1	1.5	1.9	2.3	2.7	3.0	0.12
	40	1.1	1.5	1.9	2.3	2.6	3.0	0.09
	38	1.1	1.5	1.9	2.3	2.6	3.0	0.08



Service instructions

M8 = 5 Nm

M16 = 11-14 Nm

G 1/8 = Handtight plus one turn

**AIRTEC Pneumatic Sweden AB**

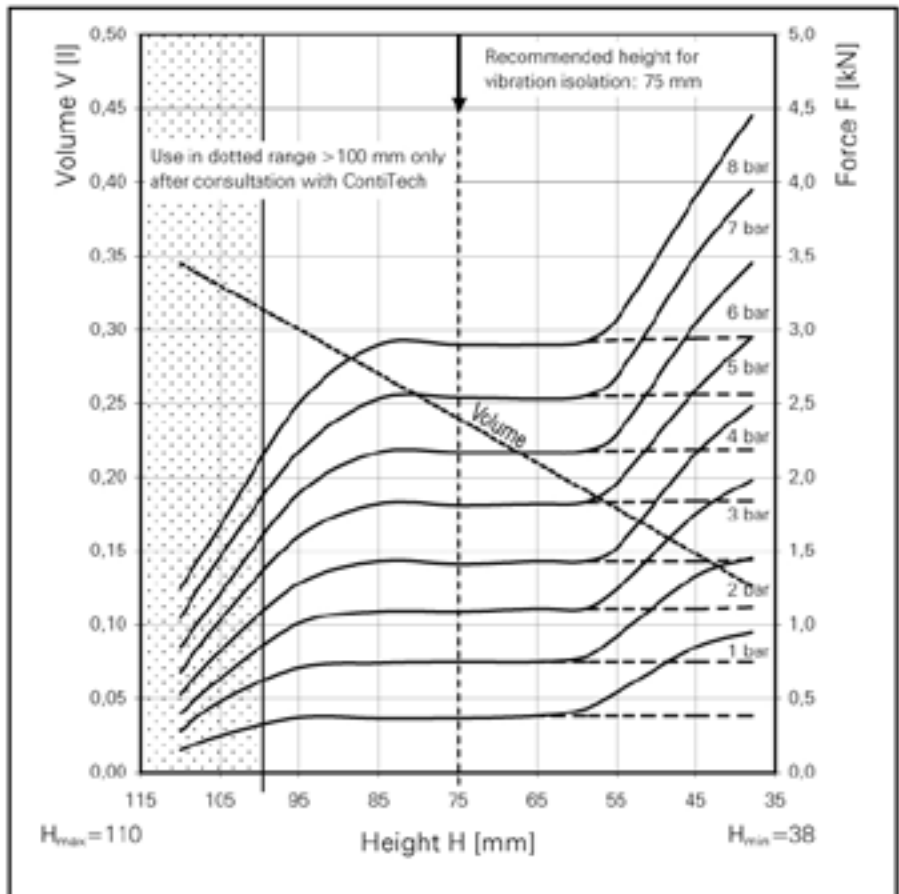
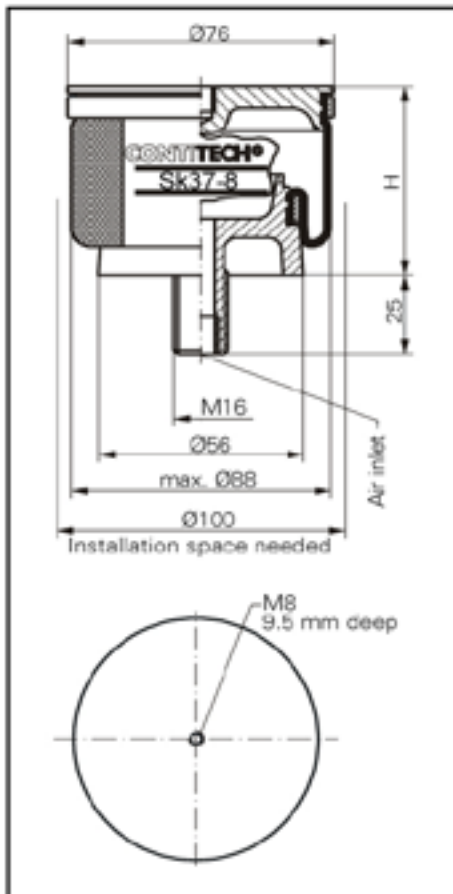
Box 120, Gerfasts väg 6  
SE-283 22 OSBY, Sweden

Telefon 0479 - 126 00  
Telefax 0479 - 127 19

www.airtec.se  
mail@airtec.se

# SK 37-8

# CONTI® Sleeve Type Air Spring



SK 37-8

Force-height diagram

## Purchase order data

Type	Order No.
With G 1/8 air inlet	On request

## Technical data

Min. pressure	0 bar
Return force to min. height	≤ 150 N
Overall weight with clamped plates	0.23 kg

### Note:

The dotted lines on the static load curves shows the force of the SK 37-8 with an additional 15mm pedestal under the piston. This pedestal is NOT provided by ContiTech. If this pedestal is not used, the the bellow will contact the ground at a height of approx. 55mm. This should be avoided because it could cause wear at the bellow. Minimum pressure for service without pedestal is 3 bar.



Service instructions  
M8 = 5 Nm  
M16 = 11-14 Nm

G 1/8 = Handtight plus one turn

## Vibration isolation - dynamic characteristic values

Design height H: recommended 75mm, lateral guidance necessary

Pressure p [bar]	3	4	5	6	7	8	Vol V [l]
Force (Load) [kN]	1.1	1.4	1.8	2.2	2.5	2.9	0.24
Spring rate [N/cm]	302	374	432	497	552	615	
Natural frequency [Hz]	2.6	2.6	2.5	2.4	2.4	2.3	

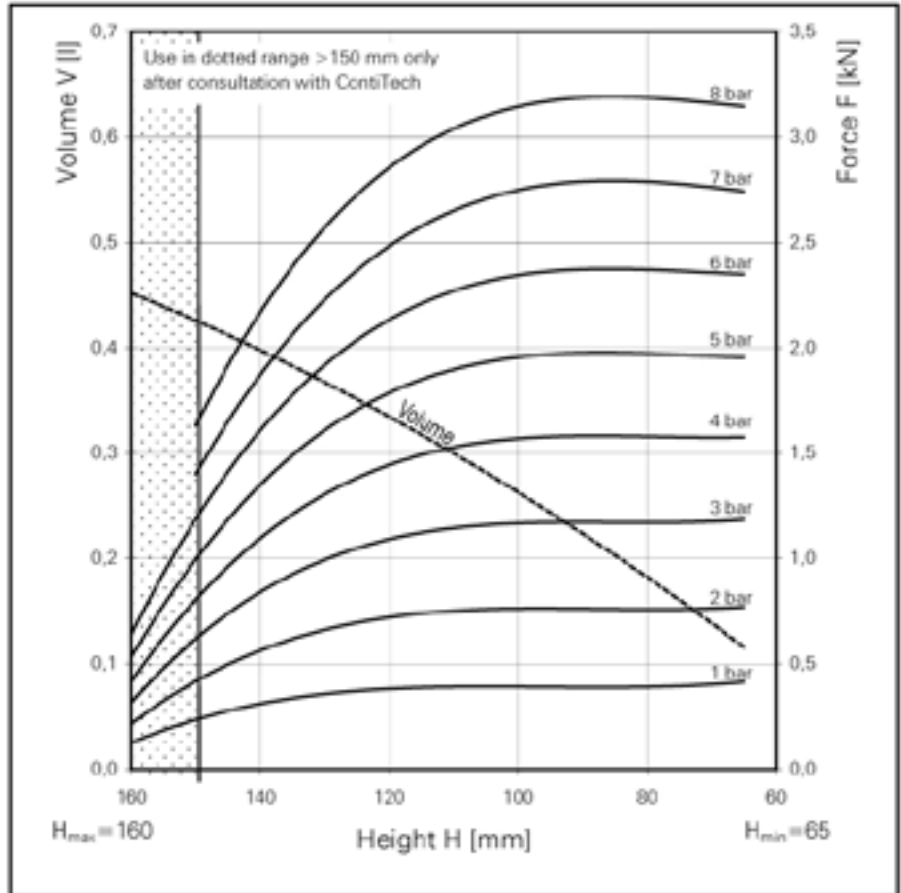
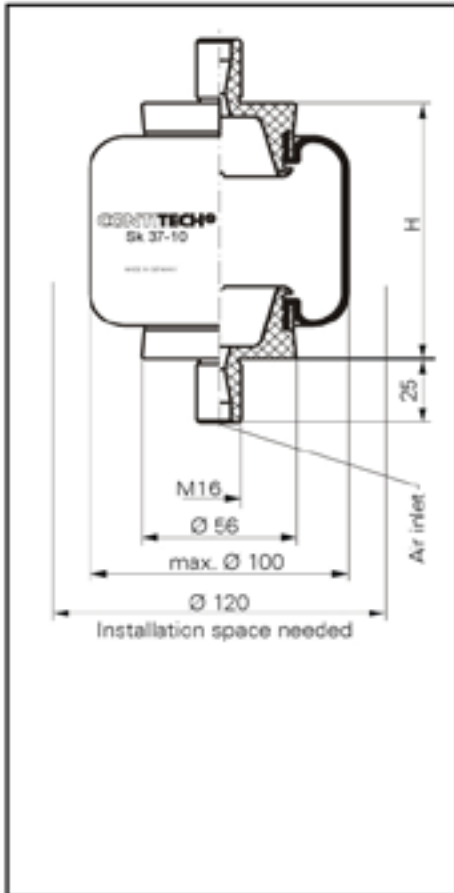
## Pneumatic application - static characteristic values

Force F [kN]

Pressure p [bar]	3	4	5	6	7	8	Vol. (l)	
Height H [mm]	95	1.01	1.28	1.60	1.89	2.18	2.50	0.30
	85	1.09	1.43	1.82	2.17	2.53	2.90	0.27
	75	1.09	1.41	1.81	2.17	2.54	2.90	0.24
	65	1.11	1.43	1.82	2.17	2.53	2.90	0.21
	55	1.24	1.52	1.96	2.29	2.68	3.07	0.18
	45	1.75	2.16	2.59	3.04	3.50	3.90	0.15

# SK 37-10

# CONTI® Sleeve Type Air Spring



SK 37-10

Force-height diagram

## Purchase order data

Type	Order No.
With G 1/8 air inlet	on request

Additional types on request

## Technical data

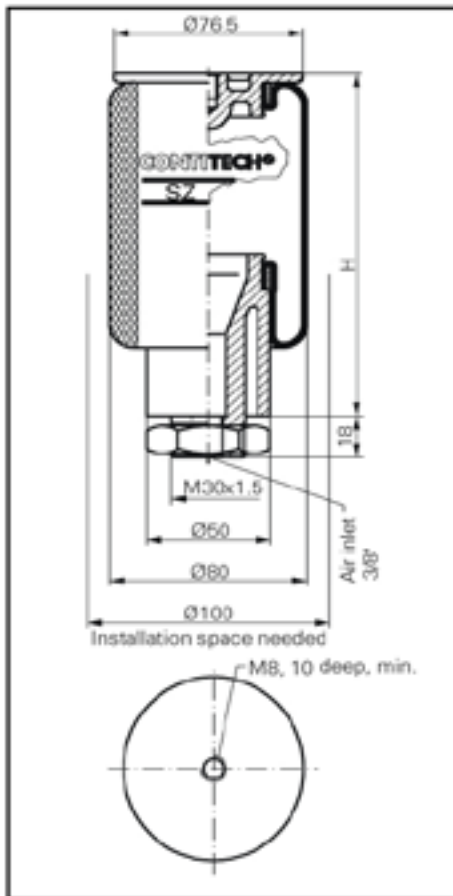
Min. pressure	0.3 bar
Return force to min. height	≤ 150 N
Overall weight with clamped plates	0.27 kg

## Pneumatic application - static characteristic values

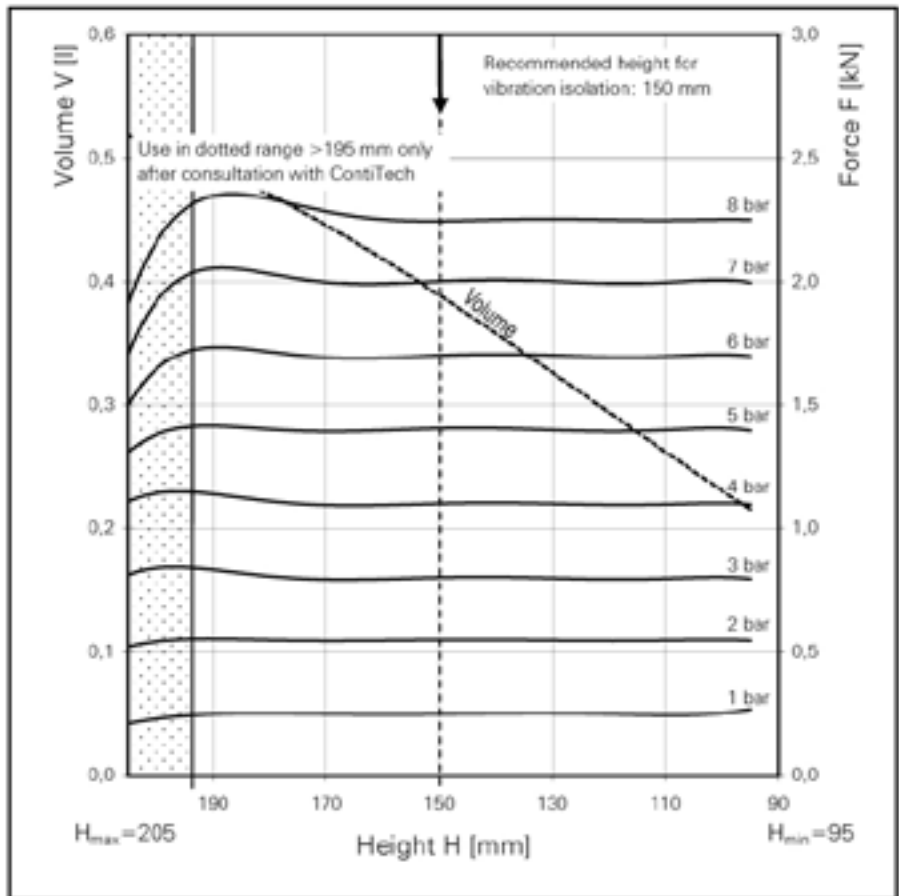
Force F [kN]

Pressure p [bar]	3	4	5	6	7	8	Vol.[l]	
Height H [mm]								
	70	1.2	1.6	2.0	2.4	2.8	3.2	0.14
	90	1.2	1.6	2.0	2.4	2.8	3.2	0.22
	110	1.1	1.5	1.9	2.3	2.7	3.1	0.30
	130	1.0	1.3	1.6	1.9	2.2	2.6	0.39
	150	0.6	0.8	1.0	1.2	1.4	1.6	0.43

Service instructions  
M16 = 11-14 Nm  
G 1/8 = Handtight plus one turn



SZ 35-11



Force-height diagram

**Purchase order data**

Type	Order No.
With 3/8" air inlet	2687 001 000

**Technical data**

Min. pressure	0.9 [bar]
Return force to min. height	$\leq 400$ [N]
Overall weight with nut	0.4 [kg]

Additional types on request

**Vibration isolation - dynamic characteristic values**

 Design height  $H$ : recommended 150mm, lateral guidance necessary

Pressure $p$	[bar]	3	4	5	6	7	8	Vol $V$ [l]
Force (Load)	[kN]	0.8	1.1	1.4	1.7	1.95	2.25	0.38
Spring rate	[N/cm]	165	200	235	270	305	340	
Natural frequency	[Hz]	2.3	2.1	2.1	2.0	2.0	2.0	

**Pneumatic application - static characteristic values**

 Force  $F$  [kN]

Pressure $p$	[bar]	3	4	5	6	7	8	Vol $V$ [l]
Height $H$ [mm]	190	0.8	1.2	1.4	1.8	2.1	2.4	0.49
	160	0.8	1.1	1.4	1.7	2.0	2.3	0.42
	130	0.8	1.1	1.4	1.7	2.0	2.3	0.33
	100	0.8	1.1	1.4	1.7	2.0	2.3	0.23

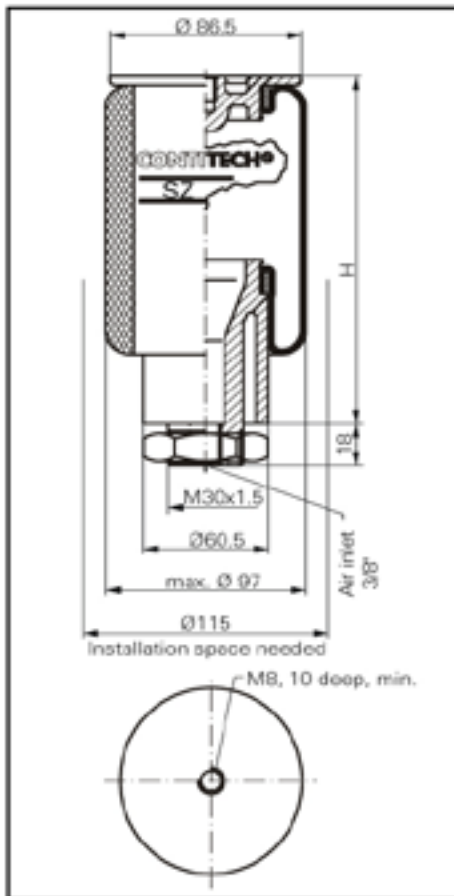


Service instructions  
 M8 = 5 Nm  
 M30x1.5 = 40 Nm  
 G 3/8 = 10 Nm

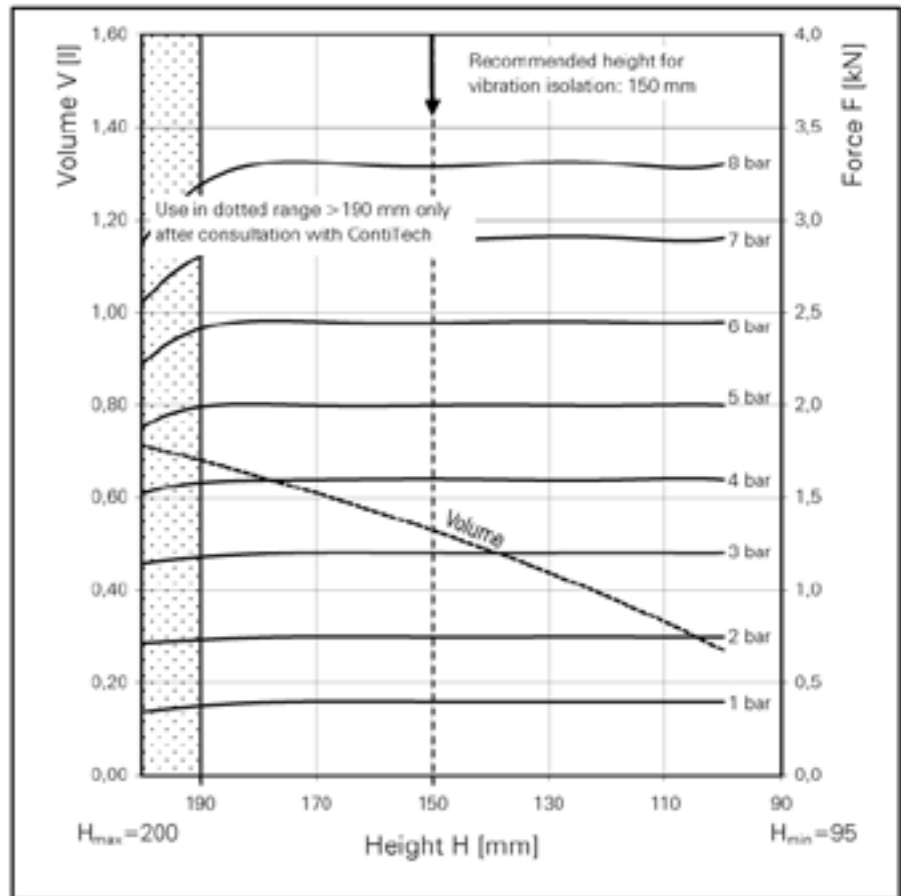


# SZ 50-11

# CONTI® Sleeve Type Air Spring



SZ 50-11



Force-height diagram

## Purchase order data

Type	Order No.
With G 3/8 air inlet	2687 015 000

## Technical data

Min. pressure	0.9 bar
Return force to min. height	≤ 450 N
Overall weight with nut	0.5 kg

Additional types on request

## Vibration isolation - dynamic characteristic values

Design height H: recommended 150mm, lateral guidance necessary

Pressure p [bar]	3	4	5	6	7	8	Vol. V[l]	
Force (Load) [kN]	1.20	1.60	2.00	2.50	2.90	3.30		0.51
Spring rate [N/cm]	185	240	295	350	405	460		
Natural frequency [Hz]	2.0	1.9	1.9	1.9	1.9	1.9		

## Pneumatic application - static characteristic values

Force F [kN]

Pressure p [bar]	3	4	5	6	7	8	Vol.[l]	
Height H [mm]	190	1.6	2.0	2.4	2.8	3.2		0.7
	160	1.2	1.6	2.0	2.5	2.9		0.6
	130	1.2	1.6	2.0	2.5	2.9		0.4
	100	1.2	1.6	2.0	2.5	2.9		0.3



Service instructions

M8 = 5 Nm

M30x1.5 = 40 Nm

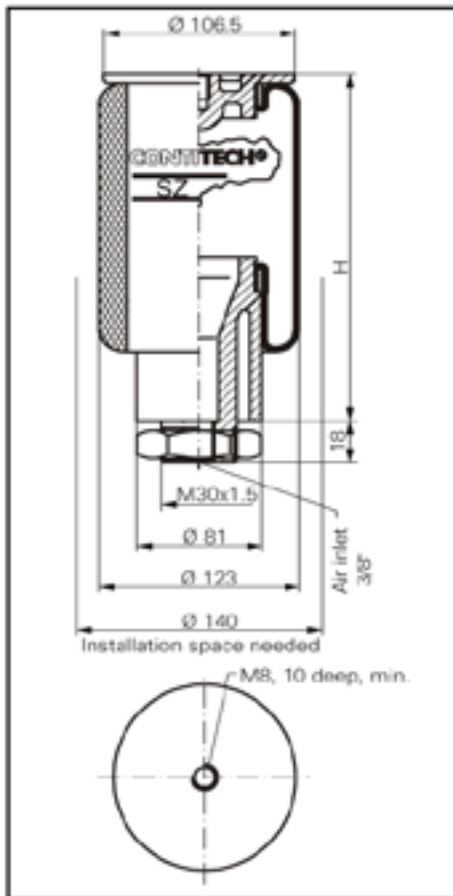
G 3/8 = 10 Nm

**AIRTEC Pneumatic Sweden AB**

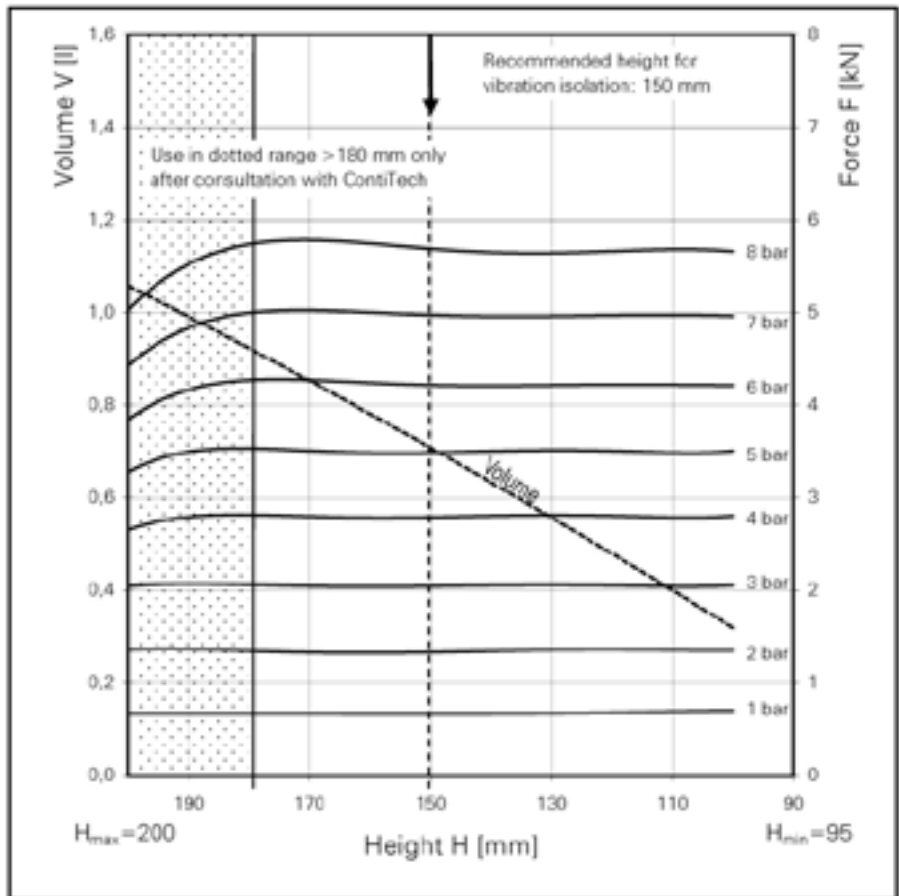
Box 120, Gerfasts väg 6  
SE-283 22 OSBY, Sweden

Telefon 0479 - 126 00  
Telefax 0479 - 127 19

www.airtec.se  
mail@airtec.se



SZ 70-11



Force-height diagram

**Purchase order data**

Type	Order No.
With 3/8" air inlet	2687 030 000

Additional types on request

**Technical data**

Min. pressure	0.9 bar
Return force to min. height	≤ 700 N
Overall weight with nut	0.65 kg

**Vibration isolation - dynamic characteristic values**

Design height H: recommended 150mm, lateral guidance necessary

Pressure p [bar]	3	4	5	6	7	8	Vol. V[l]
Force (Load) [kN]	2.00	2.75	3.45	4.20	4.90	5.65	0.70
Spring rate [N/cm]	335	435	530	625	720	815	
Natural frequency [Hz]	2.1	2.0	2.0	1.9	1.9	1.9	

**Pneumatic application - static characteristic values**

Force F [kN]

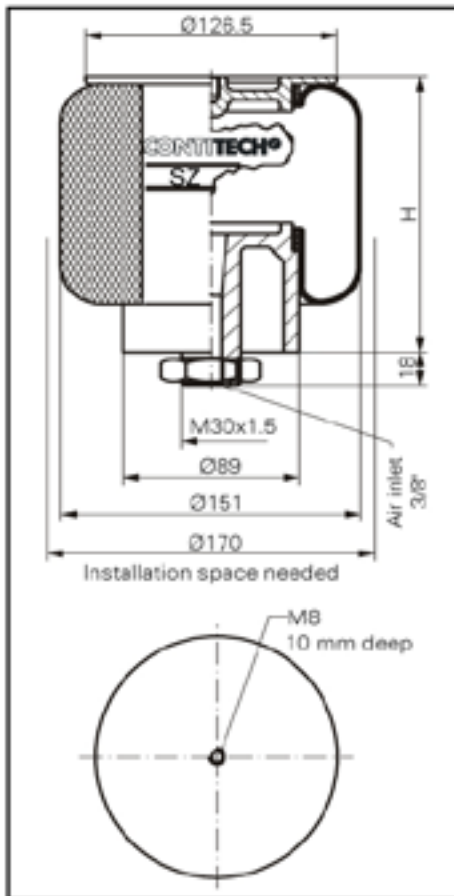
Pressure p [bar]	3	4	5	6	7	8	Vol. [l]	
Height H [mm]	180	2.1	2.8	3.5	4.3	5.1	5.8	0.93
	160	2.1	2.8	3.5	4.2	5.0	5.7	0.78
	140	2.1	2.8	3.5	4.2	5.0	5.7	0.64
	120	2.1	2.8	3.5	4.2	5.0	5.7	0.48
	100	2.1	2.8	3.5	4.2	5.0	5.7	0.33



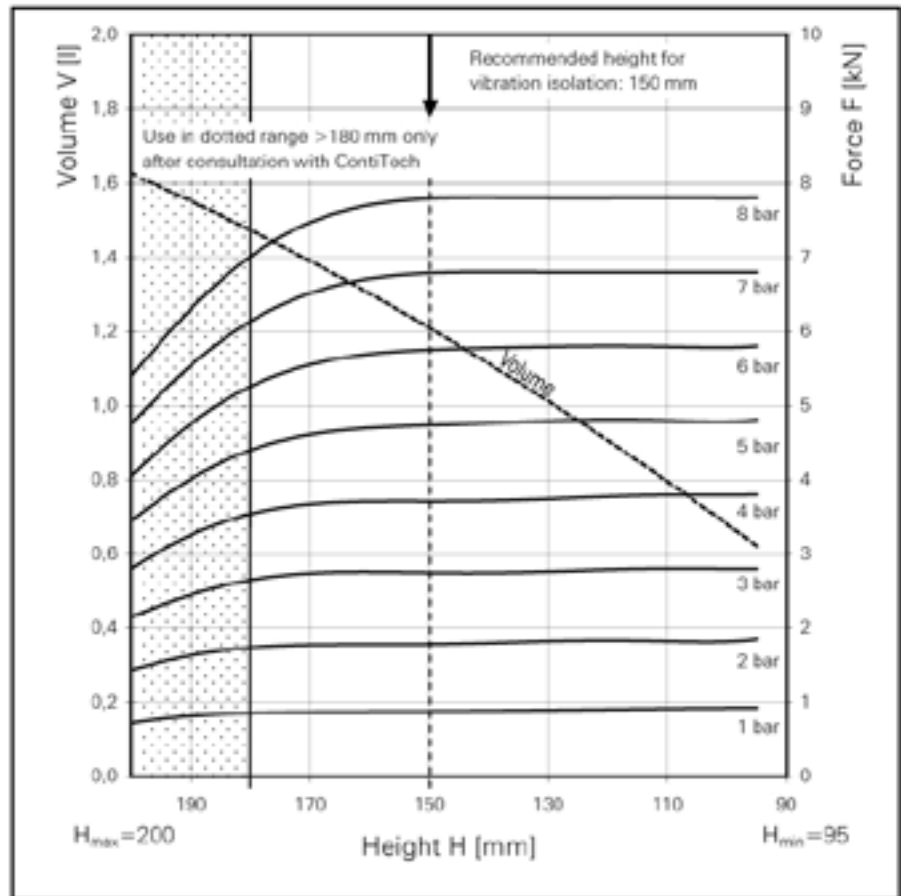
Service instructions  
 M8 = 5 Nm  
 M30x1.5 = 40 Nm  
 G 3/8 = 10 Nm

# SZ 100-11

# CONTI<sup>®</sup> Sleeve Type Air Spring



SZ 100-11



Force-height diagram

## Purchase order data

Type	Order No.
With G 3/8 air inlet	2687 045 000

## Technical data

Min. pressure	0.9 [bar]
Return force to min. height	≤ 900 [N]
Overall weight with nut	0.7 [kg]

Additional types on request

## Vibration isolation - dynamic characteristic values

Design height H: recommended 150mm, lateral guidance necessary

Pressure p [bar]	3	4	5	6	7	8	Vol V [l]
Force (Load) [kN]	2.75	3.70	4.70	5.70	6.80	7.80	1.21
Spring rate [N/cm]	435	545	655	765	875	985	
Natural frequency [Hz]	2.0	1.9	1.9	1.8	1.8	1.8	

## Pneumatic application - static characteristic values

Force F [kN]

Pressure p [bar]	3	4	5	6	7	8	Vol. [l]	
Height H [mm]	175	2.70	3.60	4.55	5.45	6.40	7.30	1.45
	160	2.75	3.70	4.70	5.70	6.70	7.70	1.30
	145	2.75	3.70	4.75	5.80	6.80	7.80	1.15
	130	2.75	3.75	4.80	5.80	6.80	7.80	1.00
	115	2.80	3.80	4.80	5.80	6.80	7.80	0.85
	100	2.80	3.80	4.80	5.80	6.80	7.80	0.69



Service instructions

M8 = 5 Nm

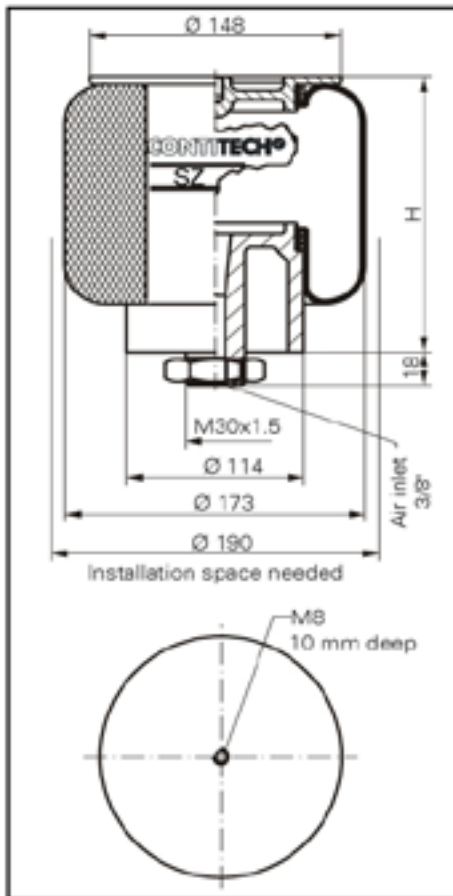
M30x1.5 = 40 Nm

G 3/8 = 10 Nm

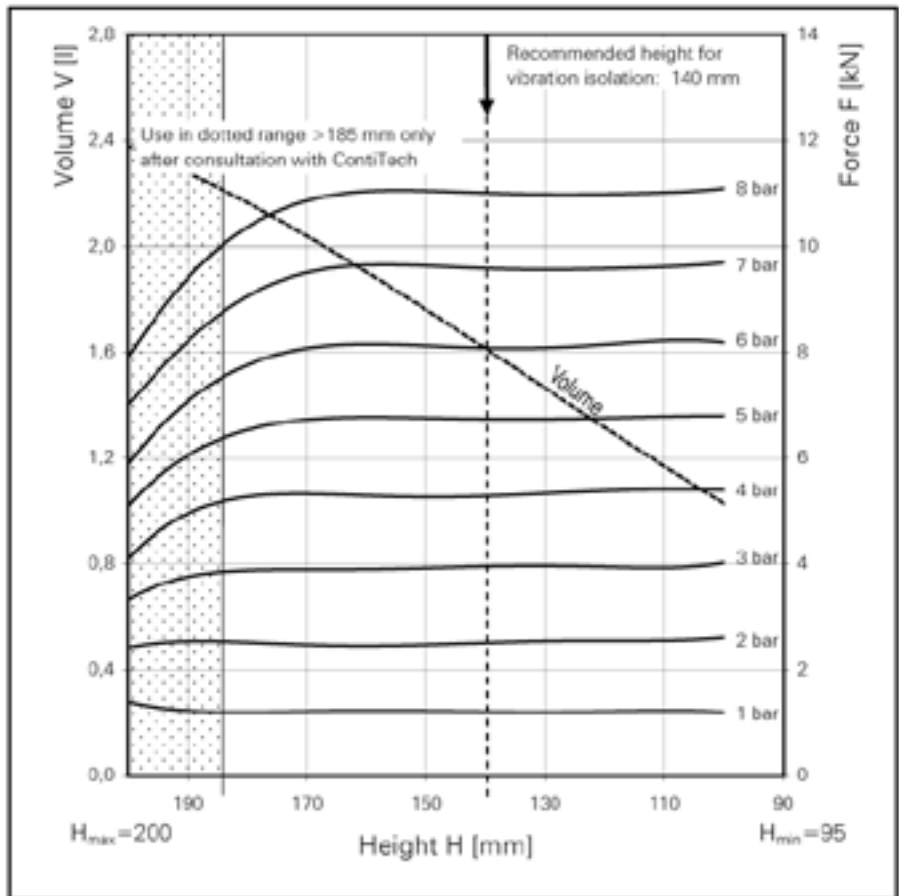


# SZ 140-11

# CONTI® Sleeve Type Air Spring



SZ 140-11



Force-height diagram

## Purchase order data

Type	Order No.
With G 3/8 air inlet	2687 060 000

Additional types on request

## Technical data

Min. pressure	0.9 bar
Return force to min. height	≤ 1300 N
Overall weight with nut	1.0 kg

## Vibration isolation - dynamic characteristic values

Design height H: recommended 140mm, lateral guidance necessary

Pressure p [bar]	3	4	5	6	7	8	Vol. V[l]	
Force (Load) [kN]	3.9	5.3	6.7	8.1	9.6	10.9		1.61
Spring rate [N/cm]	810	1020	1240	1460	1690	1920		
Natural frequency [Hz]	2.3	2.2	2.2	2.1	2.1	2.1		

## Pneumatic application - static characteristic values

Force F [kN]

Pressure p [bar]	3	4	5	6	7	8	Vol. [l]
Height H [mm]	175	160	145	130	115	100	
	3.9	5.4	6.7	8.0	9.3	10.6	
	3.8	5.2	6.6	8.1	9.6	11.0	
	3.9	5.3	6.7	8.1	9.6	10.9	
	3.9	5.3	6.7	8.1	9.6	11.0	
	4.0	5.4	6.8	8.2	9.6	11.0	
	4.0	5.4	6.8	8.2	9.7	11.1	



Service instructions

M8 = 5 Nm

M30x1.5 = 40 Nm

G 3/8 = 10 Nm