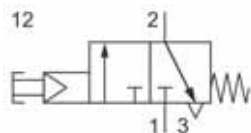


Push button valve with low actuating force
3/2-way, G 1/8,
220 NI/min (0.224 Cv)



Technical data for push button

ST-18-310



Design and function

Servo-operated spool valve with a low actuating force. In the resting position the valve vents an insignificant amount of air (2.5 NI/min). The attached guard prevents accidental actuation.

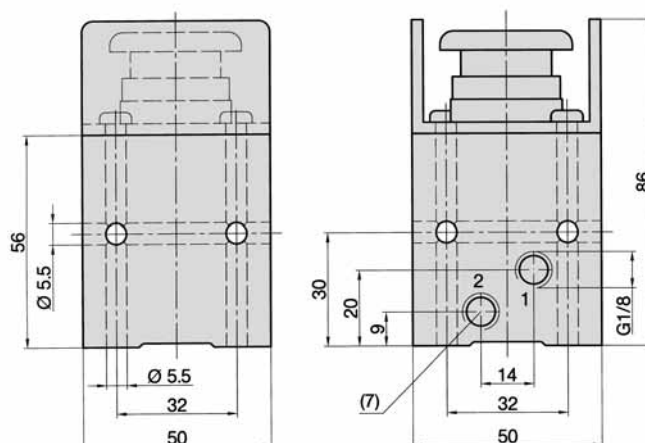
Pressure supply always at port 1, outlet at port 2. The exhaust air is vented through a small orifice at the bottom of the valve.

Application

As a start button for all types of machines and jigs, particularly in pairs as a part of a two-hand control system.

Order number	ST-18-310
Function	3/2-way spring return
Connection	G 1/8
Nominal size	3 mm
Flow rate	220 NI/min (0.224 Cv)
Pressure range	3 ... 10 bar (43 ... 145 psi)
Actuating force at 6 bar	3.5 N
Temperature range	- 10 °C ... + 70 °C (+ 14 °F ... + 158 °F)
Materials	Body: Al (anodized), Inner parts: Al, brass, stainless steel, Seals: NBR and POM
Weight	0.390 kg (0.860 lb.)

Dimensions for push button



1 = pressure inlet

2 = outlet

(7) = outlet 2 is at the front and the rear of the valve. The rear outlet is plugged at the factory.