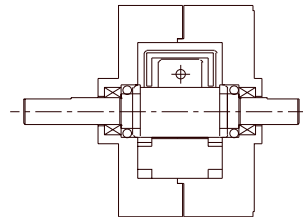


RTM SERIES ROTARY CYLINDER

Operating specification

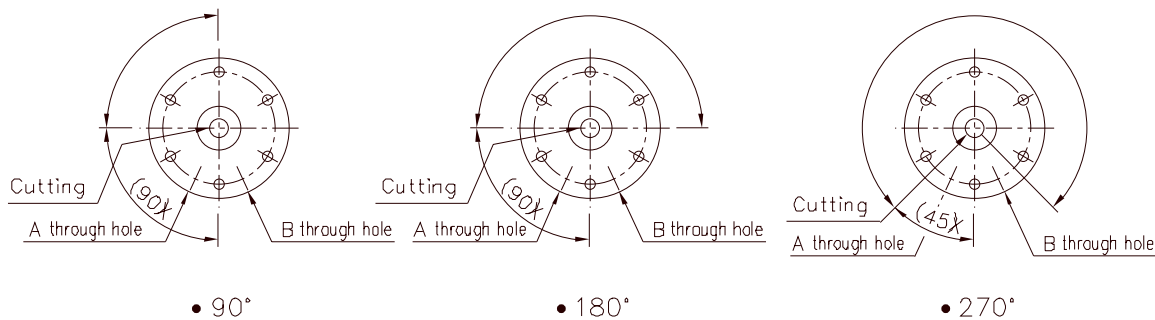
Internal structure



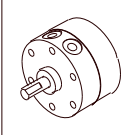
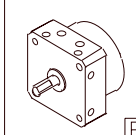
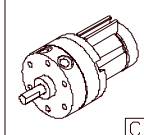
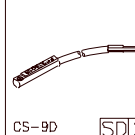
Specification

Item	Bore size (mm)	RTM10-□	RTM15-□	RTM20-□	RTM30-□
Operation		Double acting			
Fluid		Air			
Torque	N·m	0.14	0.38	0.81	2.25
Rod size		∅4	∅5	∅6	∅8
Rotation angle		90°, 180°, 270°			
Adjustable angle		+5°~30°			
Port size		M3x0.5	M5x0.8		
Pressure range	Kgf/cm ² (kpa)	1.5~7(150~700)			
Temperature range	°C	0~50			

The rotation angle



How to order

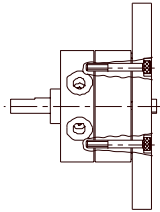
RTM	-	10	-	180	°	L	-	F	-	C	-	SD	1
Model		Torque		Rotation Angle		Adjustable Angle		Flange type		Angle adjustment		Sensor	
		10: 0.14 N.m 15: 0.38 N.m 20: 0.81 N.m 30: 2.25 N.m		90 - 90° 180 - 180° 270 - 270°		90° : +0~45° 180° : +0~90° 270° : +0~90°							
RTM Series Rotary cylinder								■ No code: Standard □: With front flange plate		■ No code: Standard □: Angle adjustment Angle adjustment function 1. Adjust angle and set. 2. Sensor fixed		SD: Sensor code (CS-9D) SB: Sensor code (CS-9B) S: Number of sensor 1: 1 PCS Sensor 2: 2 PCS Sensors	

RTM SERIES ROTARY CYLINDER

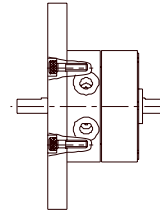
Mounting type and out characteristics (effective torque)

■ Mounting type

- RTM

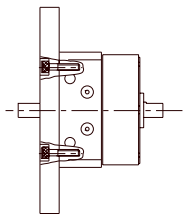


• Bottom mounting type

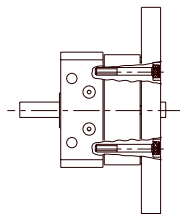


• Front mounting type

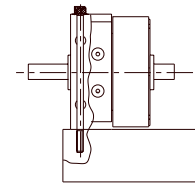
- RTM-F



• Front flange type



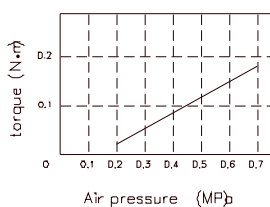
• Bottom flange type



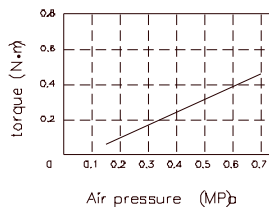
• Top mounting type

■ Out put characteristics:

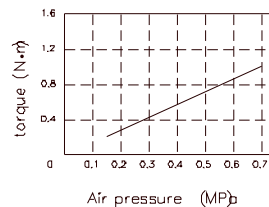
- RTM 10



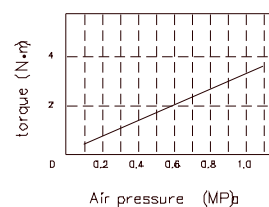
- RTM 15



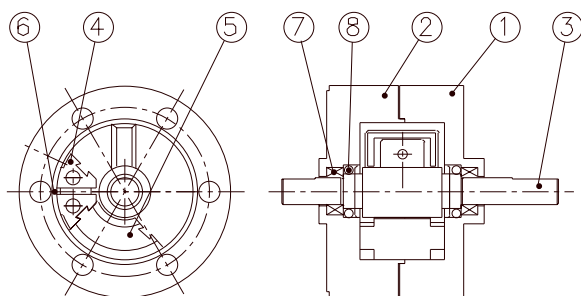
- RTM 20



- RTM 30



■ Internal structure:



■ Material of major parts

No.	Item	Material
01	Front body	Aluminium alloy
02	End body	Aluminium alloy
03	Rod	Steel
04	Stopper	Plastic steel
05	Angle stopper	Plastic steel
06	O-ring	NBR
07	Bearing	Bearing steel
08	O-ring	NBR

AIRTEC Pneumatic Sweden AB

Box 120, Gerfasts väg 6
SE-283 50 Osby, Sweden

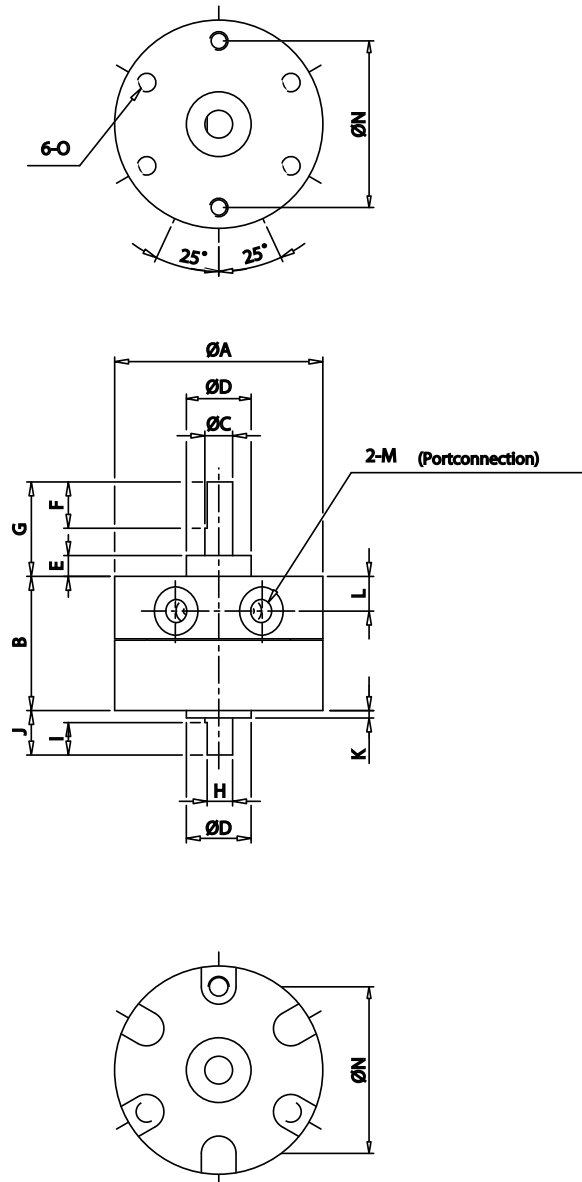
Phone +46 (0)479 - 126 00
Fax +46 (0)479 - 127 19

Internet www.airtec.se
E-mail mail@airtec.se

RTM SERIES ROTARY CYLINDER

External Dimensions- $\emptyset 10, \emptyset 15$

■ RTM $\emptyset 10, \emptyset 15$



Model	A	B	C	D	E	F	G	H	I	J	K	L	M	N	O
RTM10-90°	30	17	4	9	3	9	14	3.5	5	8	1	4.2	M5x0.8p	24	M3x0.5p
RTM10-180°															
RTM10-270°															
RTM15-90°	35	20.1	5	12	4	10	18	4.5	6	9	1.5	5	M5x0.8p	29	M3x0.5p
RTM15-180°															
RTM15-270°															

AIRTEC Pneumatic Sweden AB

Box 120, Gerfasts väg 6
SE-283 50 Osby, Sweden

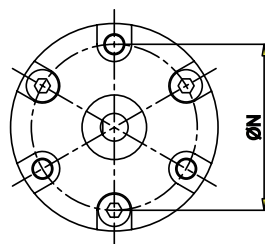
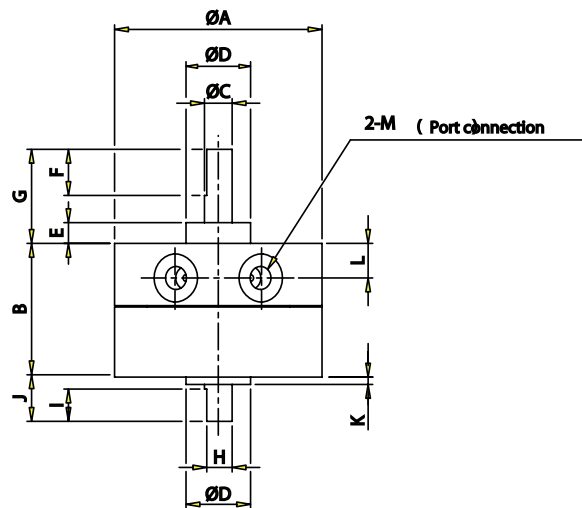
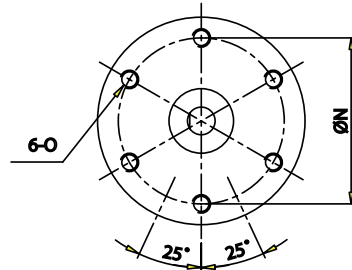
Phone +46 (0)479 - 126 00
Fax +46 (0)479 - 127 19

Internet www.airtec.se
E-mail mail@airtec.se

RTM SERIES ROTARY CYLINDER

External Dimensions- $\varnothing 20, \varnothing 30$

■ RTM $\varnothing 20, \varnothing 30$



Model	A	B	C	D	E	F	G	H	I	J	K	L	M	N	O
RTM20-90°	44	29.2	6	14	4.5	10	20.2	5.5	7	9.6	1.6	8.5	M5x0.8p	36	M4x0.7p
RTM20-180°															
RTM20-270°															
RTM30-90°	52	40	8	16	5	12	22	7.5	8	13	2	11	M5x0.8p	43	M5x0.8p
RTM30-180°															
RTM30-270°															

AIRTEC Pneumatic Sweden AB

Box 120, Gerfasts väg 6
SE-283 50 Osby, Sweden

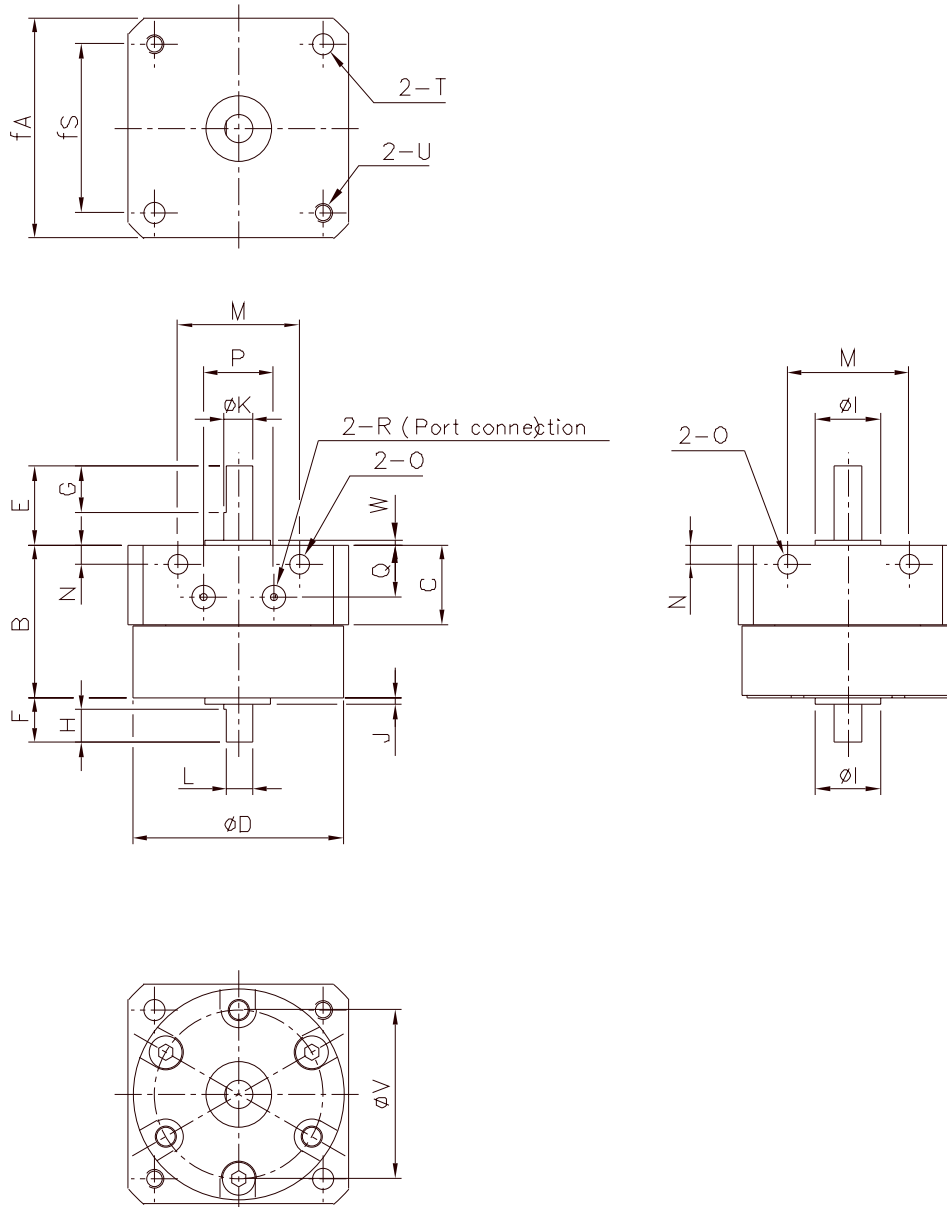
Phone +46 (0)479 - 126 00
Fax +46 (0)479 - 127 19

Internet www.airtec.se
E-mail mail@airtec.se

RTM(F) SERIES ROTARY CYLINDER

External Dimensions— $\phi 10, \phi 15$

■ RTM(F) $\phi 10, \phi 15$



Model	A	B	C	D	E	F	G	H	I	J	K	L	M	N	O	P	Q	R	S	T	U	V	W
RTM10-90°	31	22	13.3	30	14	8	9	5	9	1	4	3.5	17	3	3.5	9.5	9.2	M5x0.8P	25	3.5	M3x0.5P	24	1
RTM10-180°																							
RTM10-270°																							
RTM15-90°	36	25.7	15.5	35	18	9	10	6	12	1.5	5	4.5	21	3	3.5	10.5	10.5	M5x0.8P	29	3.5	M3x0.5P	29	1.5
RTM15-180°																							
RTM15-270°																							

AIRTEC Pneumatic Sweden AB

Box 120, Gerfasts väg 6
SE-283 50 Osby, Sweden

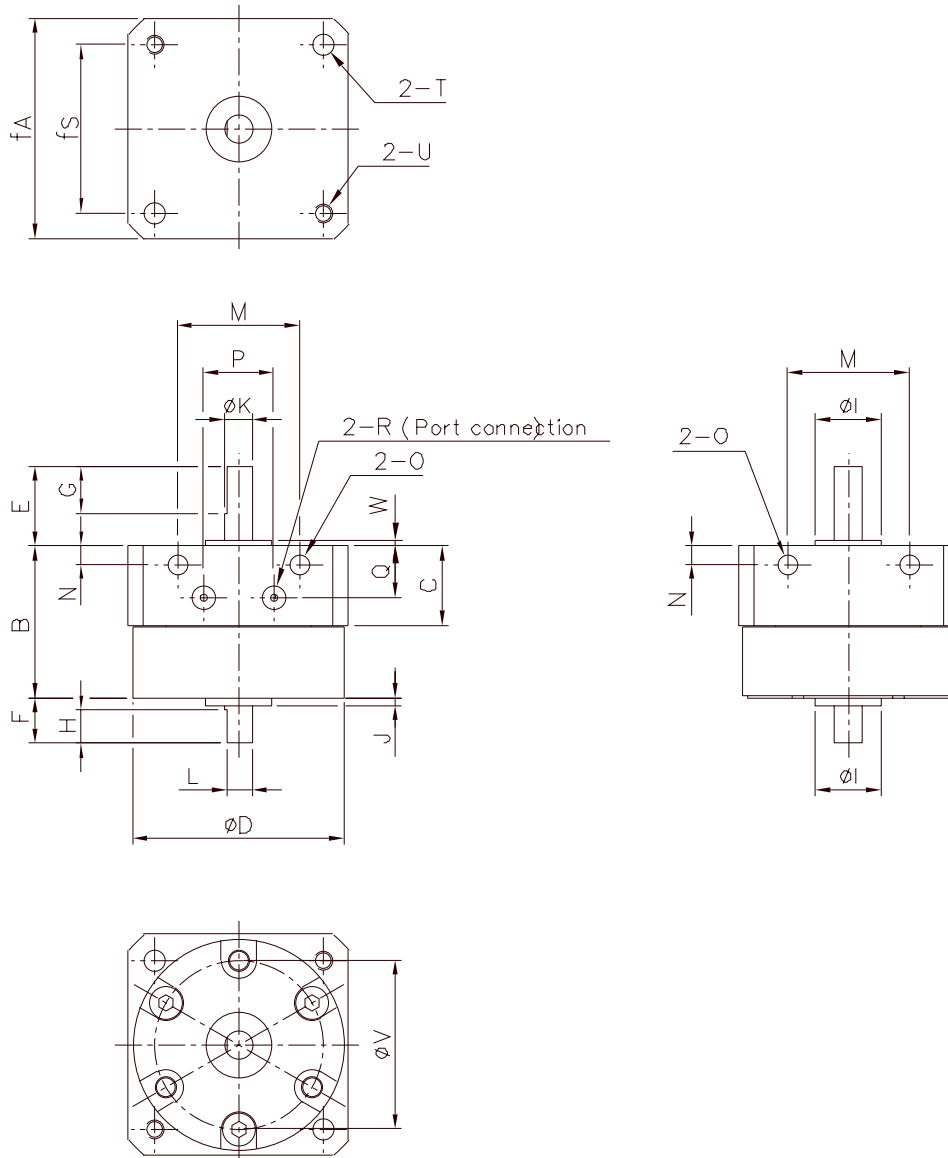
Phone +46 (0)479 - 126 00
Fax +46 (0)479 - 127 19

Internet www.airtec.se
E-mail mail@airtec.se

RTM(F) SERIES ROTARY CYLINDER

External Dimensions— $\phi 20, \phi 30$

■ RTM(F) $\phi 20, \phi 30$



Model	A	B	C	D	E	F	G	H	I	J	K	L	M	N	O	P	Q	R	S	T	U	V	W
RTM20-90°																							
RTM20-180°	44	33.6	19	44	20	10	10	7	14	1.6	6	5.5	26	4	4.2	15	13	M5x0.8P	36	4.5	M4x0.7P	36	1
RTM20-270°																							
RTM30-90°																							
RTM30-180°	52	47.5	27.2	52	22	13	12	8	16	2	8	7.5	29	4.5	5.5	13.5	18.5	M5x0.8P	42	5.5	M4x0.7P	43	2
RTM30-270°																							

AIRTEC Pneumatic Sweden AB

Box 120, Gerfasts väg 6
SE-283 50 Osby, Sweden

Phone +46 (0)479 - 126 00
Fax +46 (0)479 - 127 19

Internet www.airtec.se
E-mail mail@airtec.se

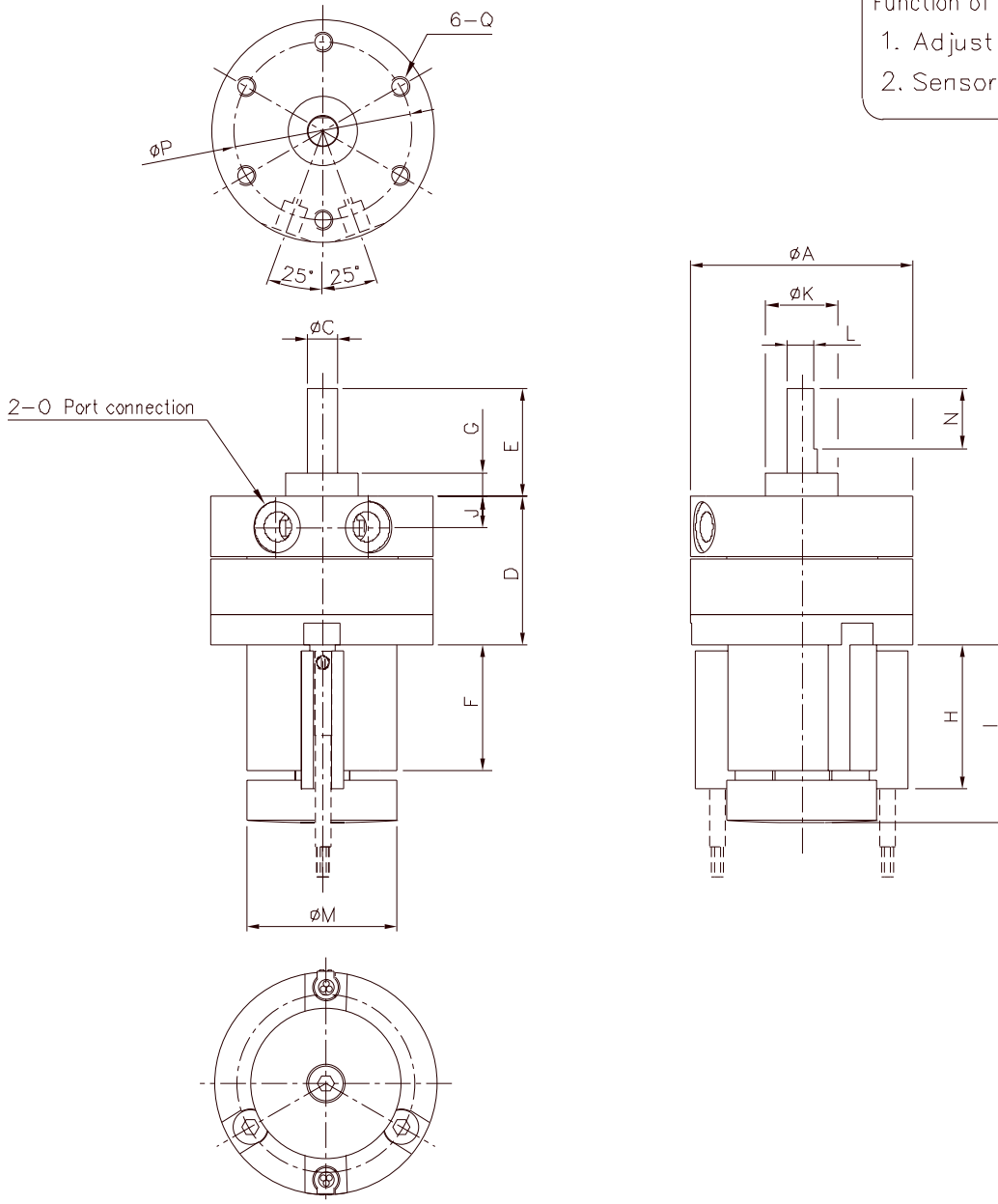
RTM SERIES ROTARY CYLINDER – With fixed stand

External Dimensions (with sensor) – $\phi 10, \phi 15$

■ RTM $\phi 10, \phi 15$ – [C]

Function of fixed stand:

1. Adjust angle.
2. Sensor fixed.



Model	A	C	D	E	F	G	H	I	J	K	L	M	N	O	P	Q
RTM10-90°	30	4	23	14	14	3	17	21.5	4.2	9	3.5	18	9	M5x0.8p	24	M3x0.5p
RTM10-180°																
RTM10-270°																
RTM15-90°	35	5	26.1	18	19.5	4	22.5	28	5	12	4.5	25	10	M5x0.8p	29	M3x0.5p
RTM15-180°																
RTM15-270°																

AIRTEC Pneumatic Sweden AB

Box 120, Gerfasts väg 6
SE-283 50 Osby, Sweden

Phone +46 (0)479 - 126 00
Fax +46 (0)479 - 127 19

Internet www.airtec.se
E-mail mail@airtec.se