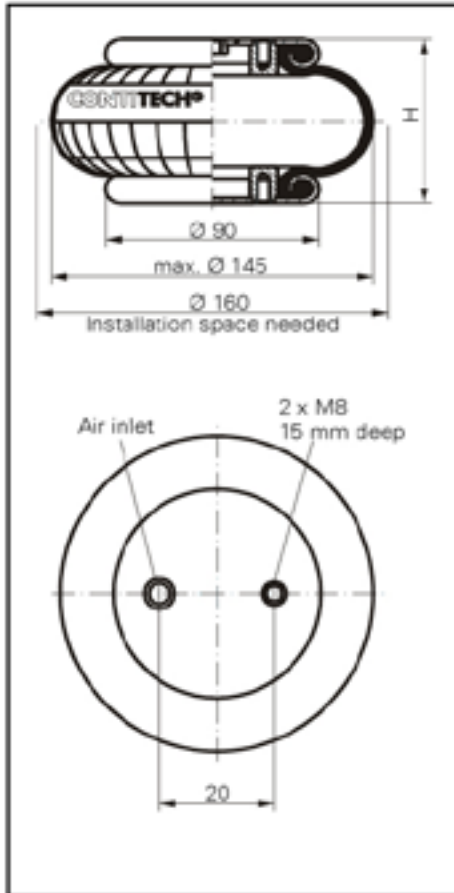
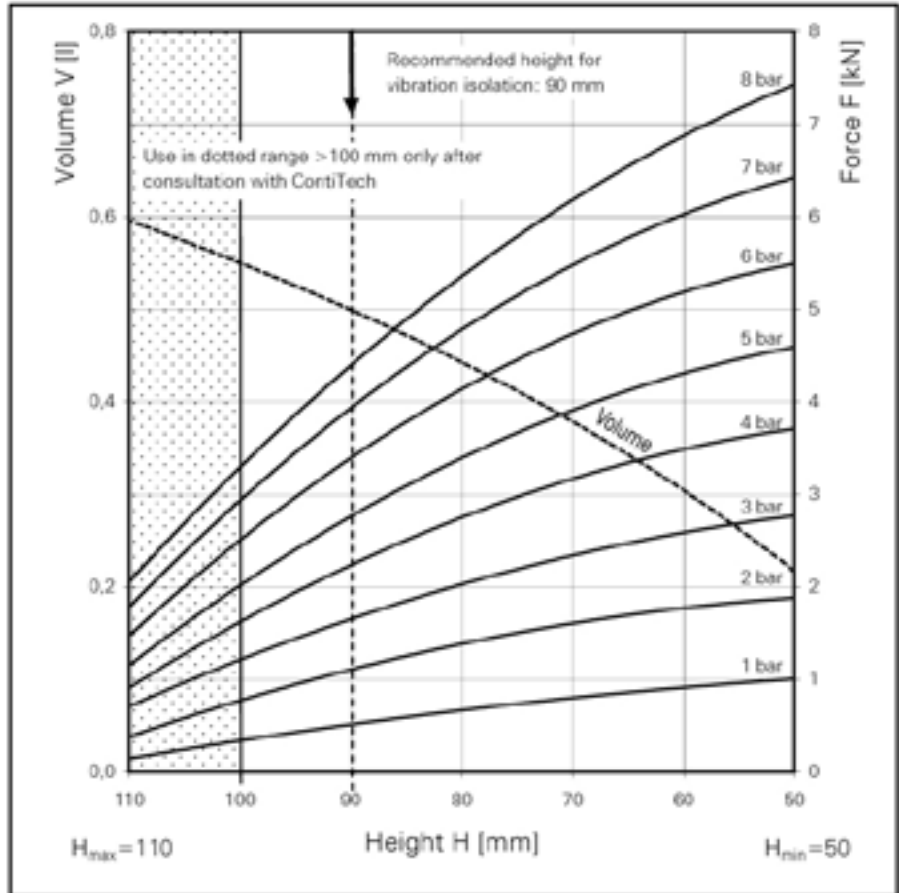


FS 40-6

CONTI[®] Single Convolution Air Spring



FS 40-6



Force-height diagram

Purchase order data

Type	Order No.
Rubber bellows only	60507
With clamped plates	2681 001 000
G 1/4 air inlet	

Additional types on request

Technical data

Min. pressure	0 bar
Return force to min. height	≤ 120 N
Overall weight with clamped plates	0.9 kg

Vibration isolation - dynamic characteristic values

Design height H: recommended 90mm, minimum 70mm

Pressure p [bar]	3	4	5	6	7	8	Vol. V[l]
Force (Load) [kN]	1.7	2.3	2.8	3.4	3.8	4.4	0.5
Spring rate [N/cm]	760	990	1220	1480	1610	1820	
Natural frequency [Hz]	3.5	3.3	3.3	3.3	3.2	3.2	

Pneumatic application - static characteristic values

Force F [kN]

Pressure p [bar]	3	4	5	6	7	8	Vol.[l]	
Height H [mm]	100	1.2	1.6	2.0	2.5	3.0	3.4	0.6
	90	1.7	2.2	2.8	3.4	3.9	4.4	0.5
	80	2.1	2.8	3.5	4.2	4.9	5.3	0.5
	70	2.3	3.2	3.9	4.7	5.4	6.2	0.4
	60	2.6	3.5	4.3	5.2	6.1	6.9	0.3



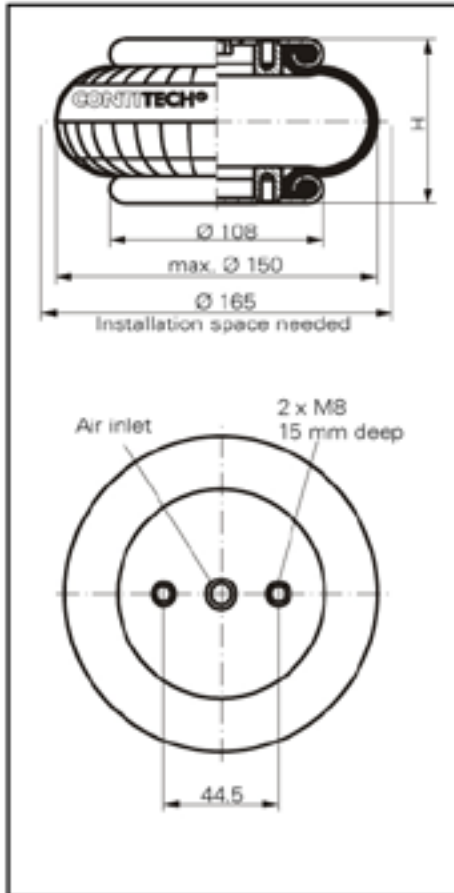
Service instructions

MB = 25 Nm

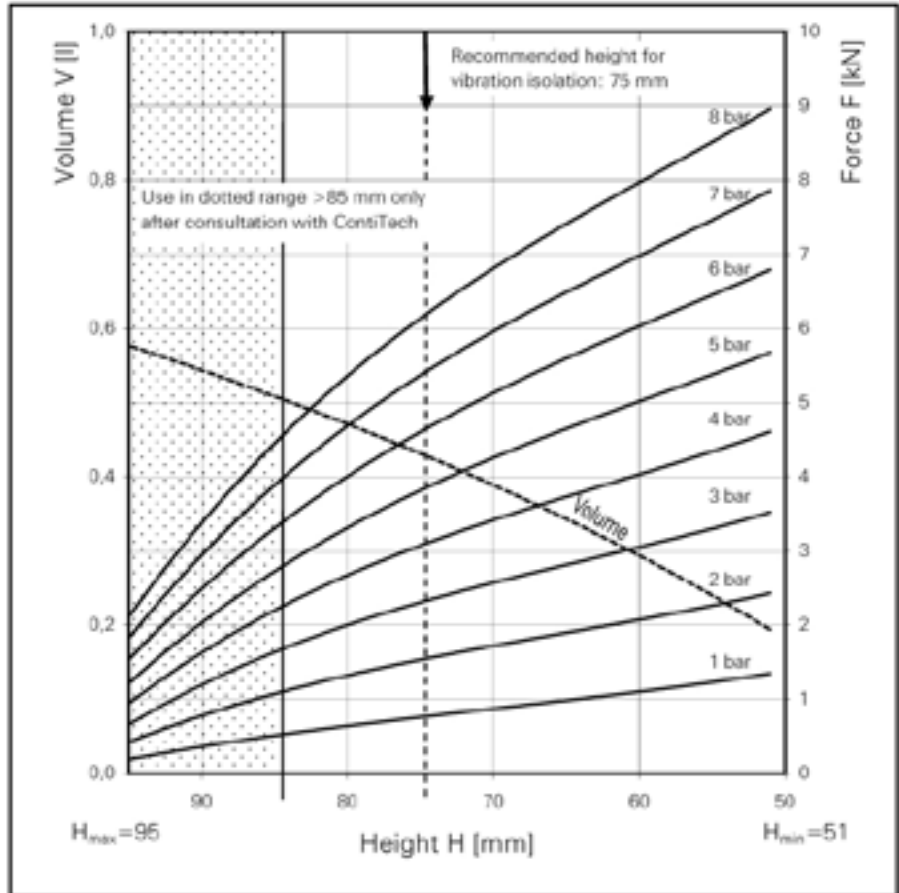
G 1/8 = 25 Nm

FS 50-5

CONTI[®] Single Convolution Air Spring



FS 50-5



Force-height diagram

Purchase order data

Type	Order No.
Rubber bellows only	61210
With clamped plates G 1/4 air inlet	61388

Additional types on request

Technical data

Min. pressure	0 bar
Return force to min. height	≤ 250 N
Overall weight with clamped plates	1.2 kg

Vibration isolation - dynamic characteristic values

Design height H: recommended 75mm, minimum 65mm

Pressure p [bar]	3	4	5	6	7	8	Vol. V[l]
Force (Load) [kN]	2.3	3.0	3.8	4.6	5.3	6.1	0.4
Spring rate [N/cm]	1510	1910	2290	2670	3040	3340	
Natural frequency [Hz]	3.9	3.8	3.7	3.7	3.6	3.6	

Pneumatic application - static characteristic values

Force F [kN]

Pressure p [bar]	3	4	5	6	7	8	Vol.[l]	
Height H [mm]	80	2.0	2.7	3.3	4.0	4.7	5.4	0.4
	70	2.6	3.4	4.3	5.1	6.0	6.8	0.4
	60	3.1	4.0	5.0	6.0	7.0	8.0	0.3



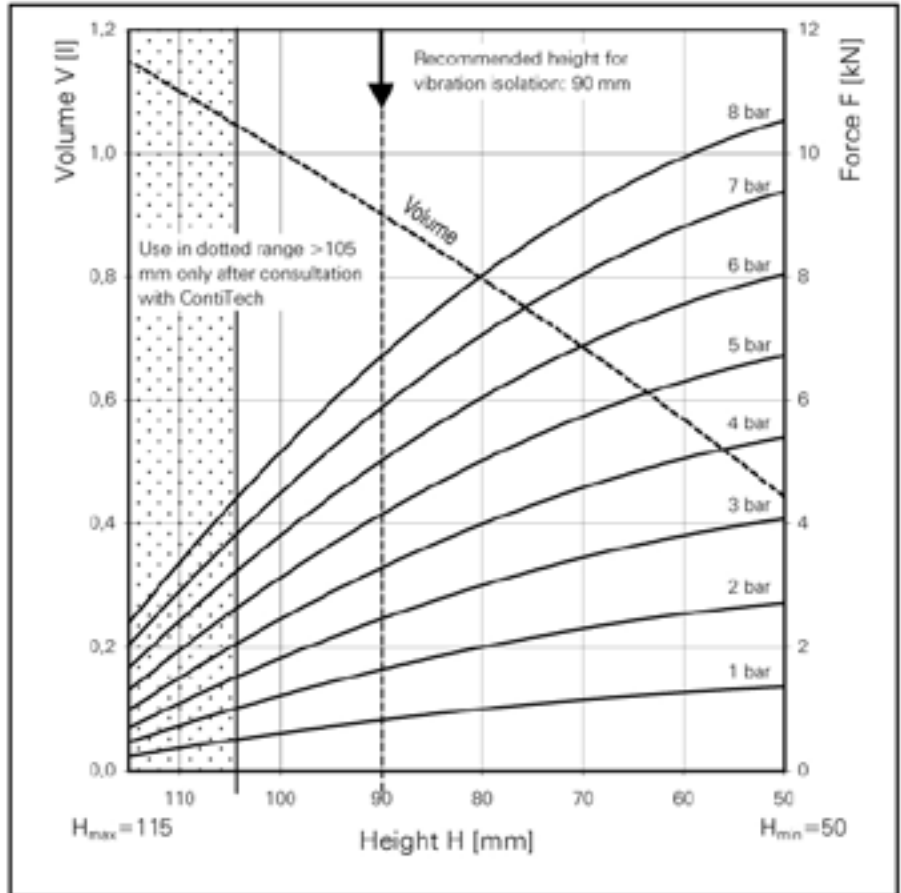
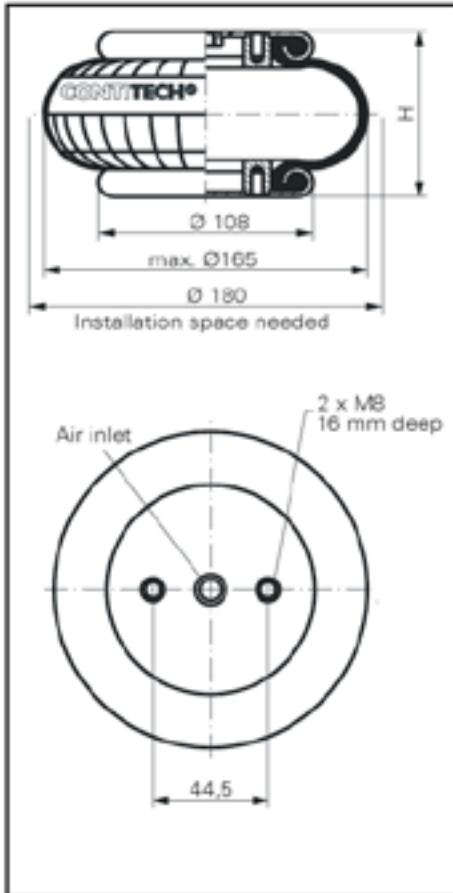
Service instructions

MB = 25 Nm

G 1/4 = 25 Nm

FS 70-7

CONTI[®] single convoluted air spring



FS 70-7

Force-height diagram

Purchase order data

Type	Order No.
Rubber bellow only	60512
With clamped plates G 1/4 air inlet	2681 015 000

Additional types on request

Technical data

Min. pressure	0 bar
Return force to min. height	≤ 200 N
Overall weight with clamped plates	1,2 kg

Vibration isolation - dynamic characteristic values

Design height H: recommended 90mm, minimum 70mm

Pressure p [bar]	3	4	5	6	7	8	Vol. V[l]
Force (Load) [kN]	2,5	3,3	4,1	5,0	5,9	6,6	
Spring rate [N/cm]	1180	1480	1820	2080	2370	2660	
Natural frequency [Hz]	3,5	3,4	3,3	3,3	3,2	3,2	

Pneumatic application - static characteristic values

Force F [kN]

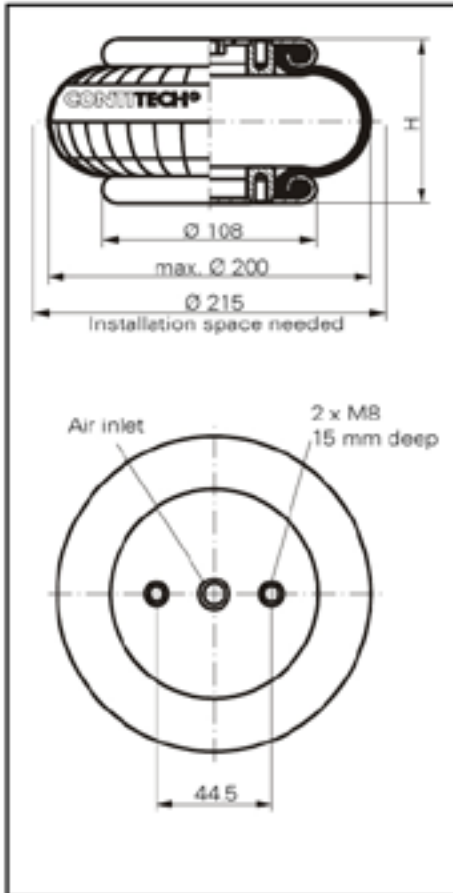
Pressure p [bar]	3	4	5	6	7	8	Vol.[l]	
Height H [mm]	100	1,9	2,5	3,2	3,9	4,5		5,2
	90	2,5	3,3	4,1	5,0	5,9		6,6
	80	3,0	4,0	5,0	6,0	7,1		8,0
	70	3,4	4,6	5,7	6,9	8,0		9,2
	60	3,8	5,1	6,3	7,6	8,8		9,9



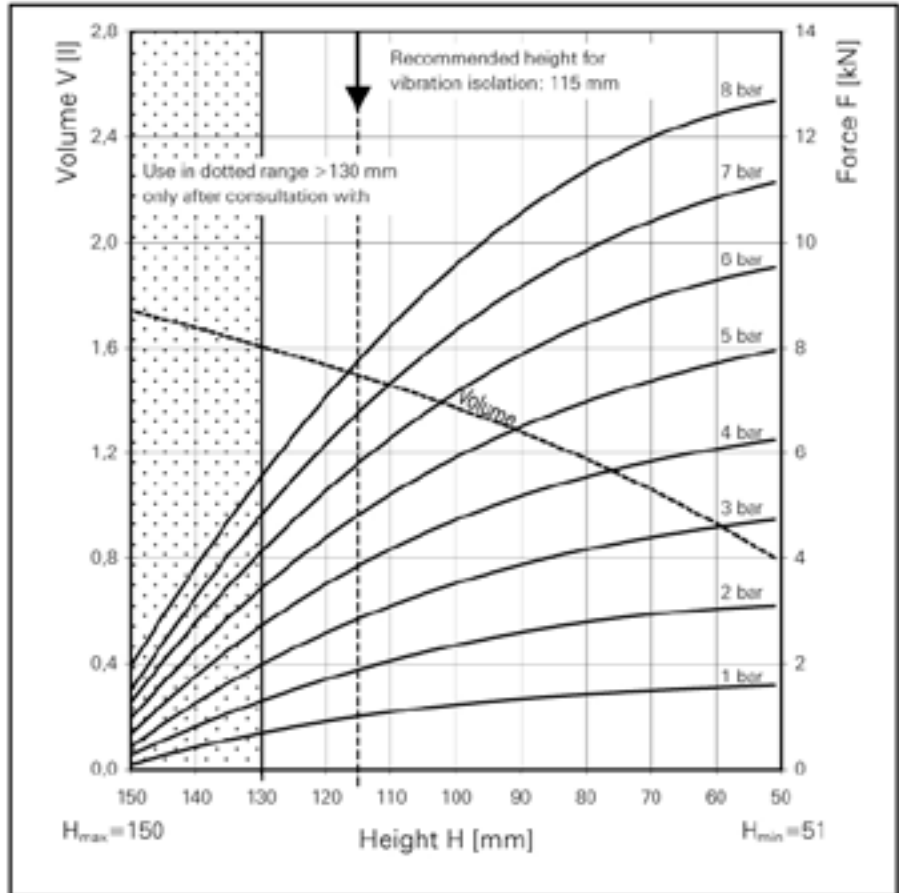
Service instruction

M8 = 25 Nm

G 1/4 = 25 Nm



00 70 0



Force-height diagram

Purchase order data

Type	Order No.
Rubber bellows only	62168
With clamped plates G 1/4 air inlet	on request

Additional types on request

Technical data

Min. pressure	0 bar
Return force to min. height	≤ 200 N
Overall weight with clamped plates	1.4 kg

Vibration isolation - dynamic characteristic values

Design height H: recommended 115mm, minimum 100mm

Pressure p [bar]	3	4	5	6	7	8	Vol V [l]
Force (Load) [kN]	2.9	3.8	4.8	5.8	6.8	7.7	1.5
Spring rate [N/cm]	855	1110	1340	1590	1840	2050	
Natural frequency [Hz]	2.8	2.7	2.7	2.6	2.6	2.6	

Pneumatic application - static characteristic values

Force F [kN]

Pressure p [bar]	3	4	5	6	7	8	Vol. [l]	
Height H [mm]	120	2.6	3.5	4.4	5.3	6.2	7.2	1.54
	110	3.1	4.2	5.2	6.3	7.4	8.5	1.46
	100	3.5	4.7	5.9	7.2	8.3	9.6	1.38
	90	3.9	5.2	6.5	7.9	9.2	10.5	1.27
	80	4.2	5.6	7.0	8.5	9.8	11.3	1.18
	70	4.5	5.8	7.4	9.0	10.4	12.0	1.07



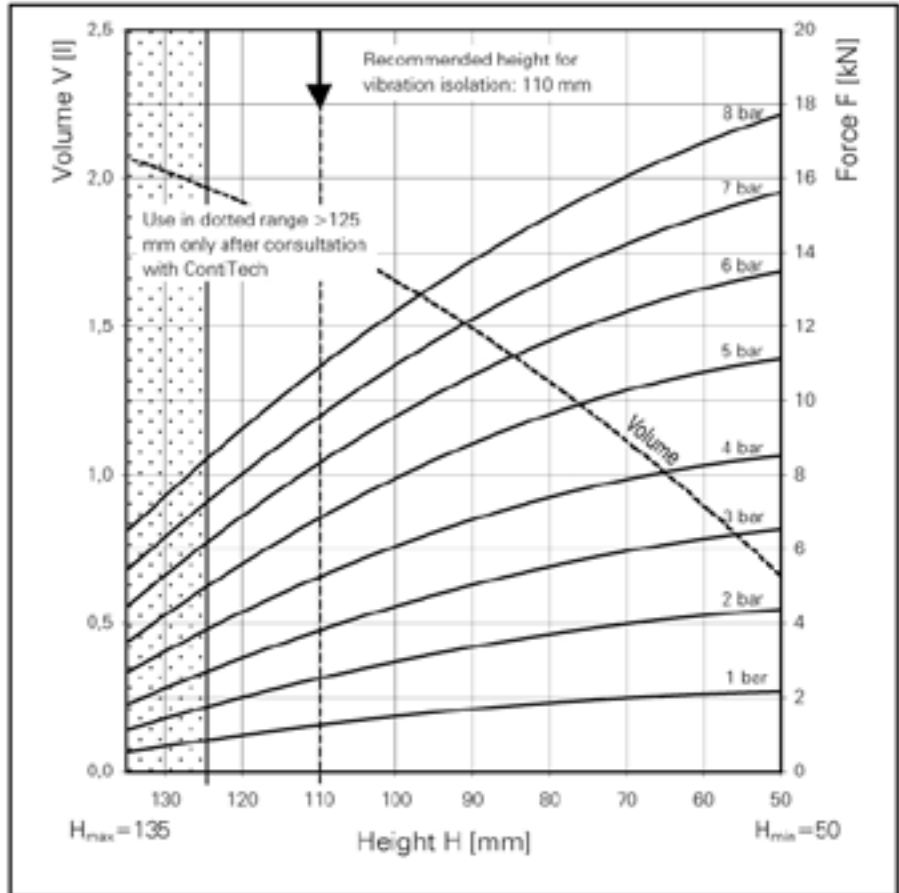
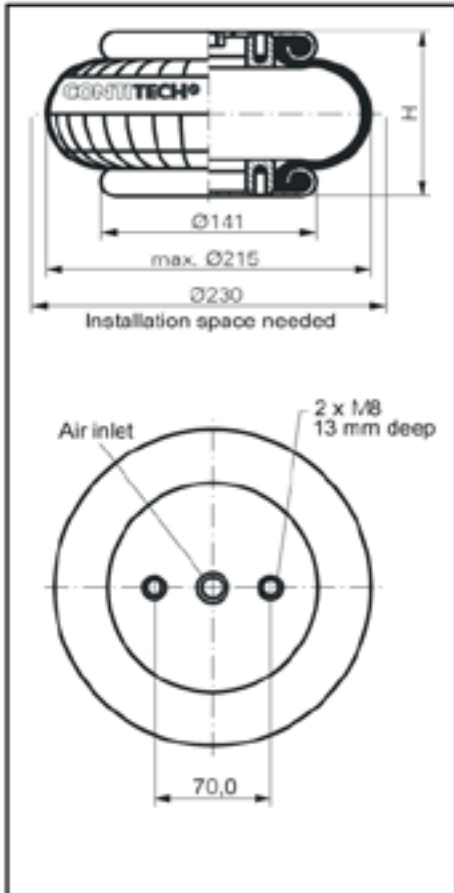
Service instructions

M 8 = 25 Nm

G 1/4 = 25 Nm

FS 120-9

CONTI[®] single convoluted air spring



FS 120-9

Force-height diagram

Purchase order data

Type	Order No.
Rubber bellow only	60479
With clamped plates	2682 030 000
G 3/4 air inlet	

Additional types on request

Technical data

Min. pressure	0 bar
Return force to min. height	≤ 200 N
Overall weight with clamped plates	2 kg

Vibration isolation - dynamic characteristic values

Design height H: recommended 110mm, minimum 90mm

Pressure p [bar]	3	4	5	6	7	8	Vol. V [l]
Force (Load) [kN]	3,9	5,3	6,8	8,3	9,6	10,9	
Spring rate [N/cm]	1315	1620	1925	2230	2535	2840	
Natural frequency [Hz]	2,9	2,8	2,7	2,6	2,6	2,6	

Pneumatic application - static characteristic values

Force F [kN]

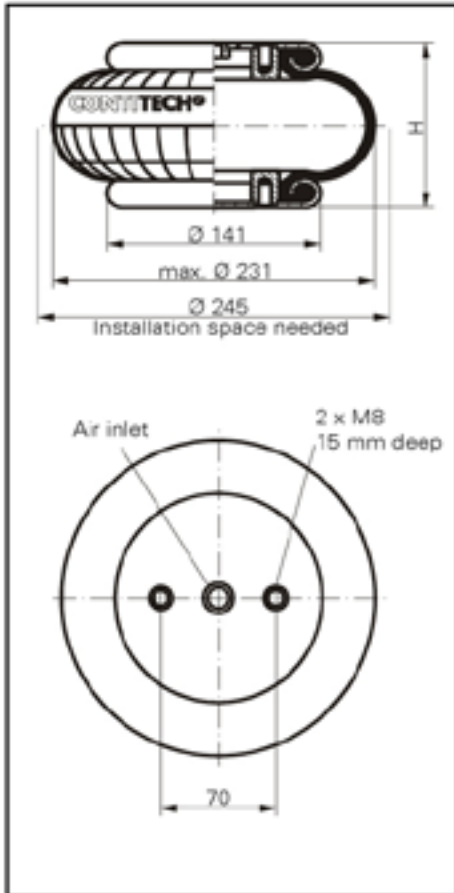
Pressure p [bar]	3	4	5	6	7	8	Vol. [l]	
Height H [mm]	119,7	3,1	4,3	5,6	6,9	8,0		9,2
	110	3,9	5,3	6,8	8,3	9,6		10,9
	100	4,5	6,1	7,9	9,7	11,0		12,4
	90	5,0	6,8	8,9	10,8	12,2		13,8
	80	5,5	7,4	9,7	11,6	13,3		15,0
	70	5,9	7,9	10,3	12,3	14,2		16,0
	60	6,3	8,2	10,7	13,0	15,0		17,0



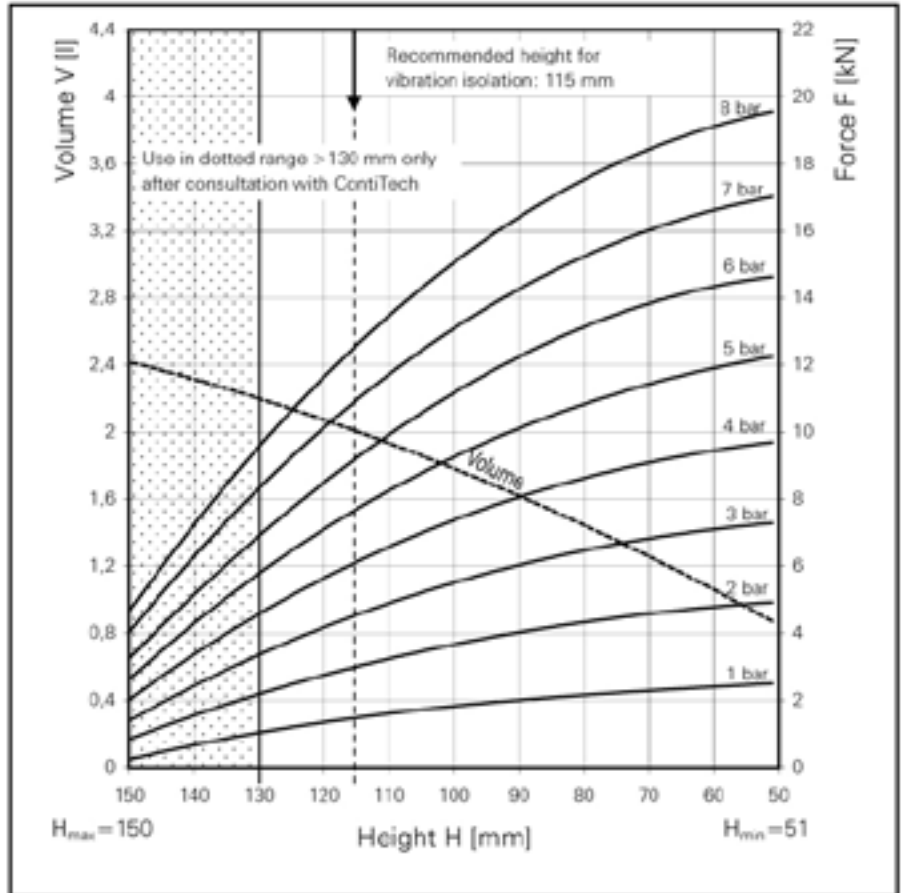
Service instruction
M8 = 25 Nm
G 3/4 = 50 Nm

FS 120-10

CONTI[®] Single Convolution Air Spring



FS 120-10



Force-height diagram

Purchase order data

Type	Order No.
Rubber bellows only	on request
With clamped plates G 1/4 air inlet	on request
With clamped plates G 3/4 air inlet	on request

Additional types on request

Technical data

Min. pressure	0 bar
Return force to min. height	≤ 200 N
Overall weight with clamped plates	1.9 kg

Vibration isolation - dynamic characteristic values

Design height H: recommended 115mm, minimum 100mm

Pressure p [bar]	3	4	5	6	7	8	Vol V [l]
Force (Load) [kN]	4.8	6.6	8.2	9.9	11.6	13.3	2.0
Spring rate [N/cm]	1320	1700	2090	2420	2770	3160	
Natural frequency [Hz]	2.7	2.7	2.6	2.6	2.5	2.5	

Pneumatic application - static characteristic values

Force F [kN]

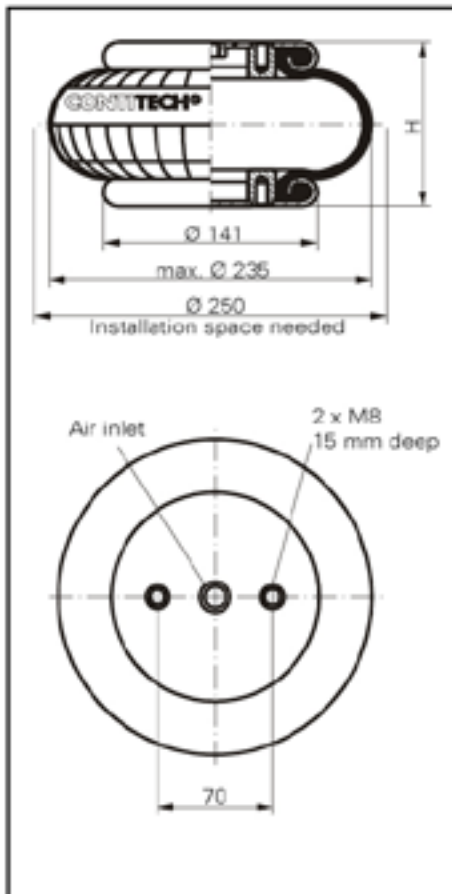
Pressure p [bar]	3	4	5	6	7	8	Vol. [l]	
Height H [mm]	120	4.2	5.6	7.2	8.4	10.2	11.7	2.1
	110	4.8	6.6	8.2	9.9	11.6	13.4	2.0
	100	5.6	7.4	9.2	11.2	13.1	15.0	1.8
	90	6.0	8.0	10.1	12.2	14.2	16.4	1.6
	80	6.5	8.6	10.9	13.2	15.3	17.6	1.4
	70	6.8	9.2	11.4	13.8	16.1	18.4	1.3
	60	7.1	9.4	12.0	14.4	16.6	19.2	1.1



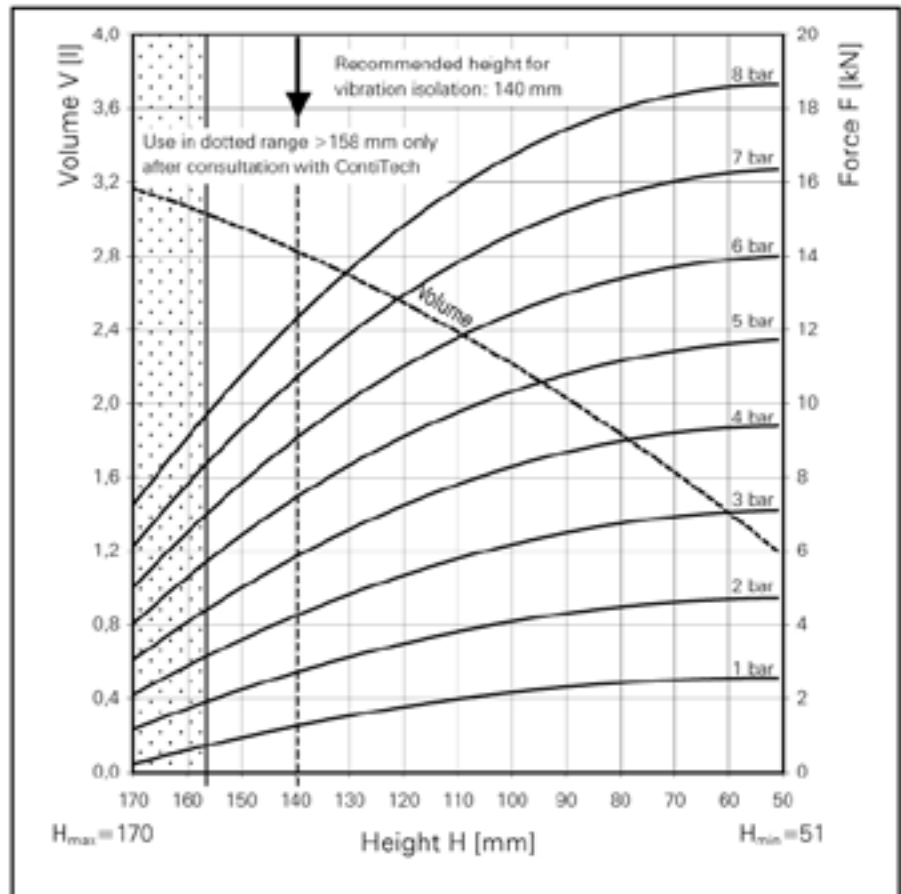
Service instructions

M 8 = 25 Nm

G 1/4 = 25 Nm



FS 120-12



Force-height diagram

Purchase order data

Type	Order No.
Rubber bellows only	on request
With clamped plates G 1/4 air inlet	on request
With clamped plates G 3/4 air inlet	on request

Additional types on request

Technical data

Min. pressure	0 bar
Return force to min. height	≤ 200 N
Overall weight with clamped plates	1.9 kg

Vibration isolation - dynamic characteristic values

Design height H: recommended 140mm, minimum 125mm

Pressure p [bar]	3	4	5	6	7	8	Vol V [l]	
Force (Load) [kN]	4.2	5.8	7.3	8.9	10.4	12.0		2.8
Spring rate [N/cm]	1160	1450	1730	2020	2300	2580		
Natural frequency [Hz]	2.6	2.5	2.4	2.4	2.4	2.3		

Pneumatic application - static characteristic values

Force F [kN]

Pressure p [bar]	3	4	5	6	7	8	Vol. [l]		
Height H [mm]	150	3.7	5.1	6.5	7.9	9.4		10.8	2.9
	130	4.9	6.6	8.3	10.1	11.9		13.7	2.7
	110	5.8	7.8	9.8	11.8	13.8		15.9	2.4
	90	6.5	8.8	10.8	13.0	15.2		17.4	2.0
	70	6.9	9.2	11.4	13.7	16.0	18.3	1.6	



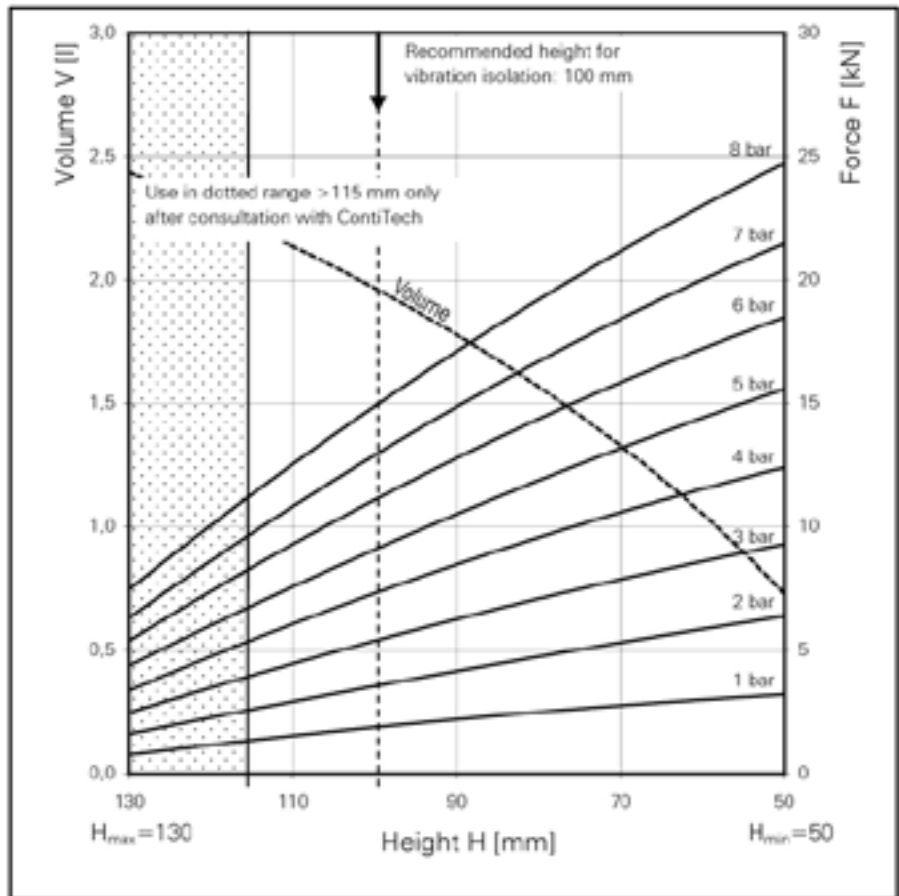
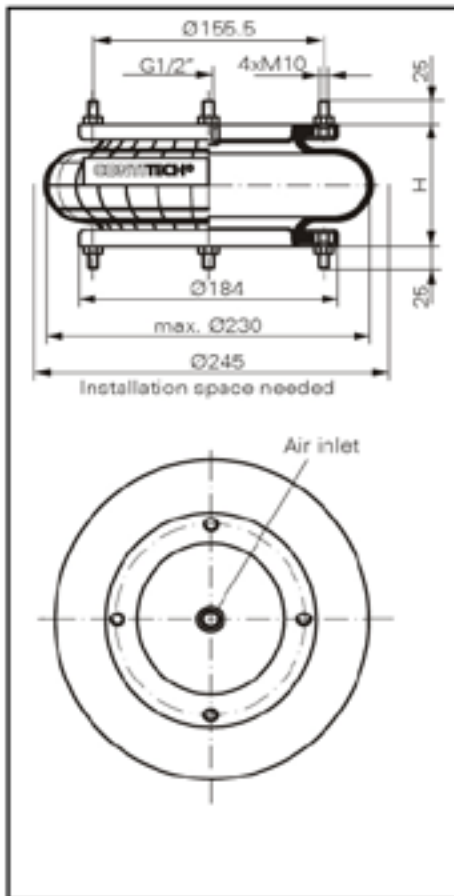
Service instructions

M 8 = 25 Nm

G 1/4 = 25 Nm

FS 138-8

CONTI® Single Convolution Air Spring



FS 138-8

Force-height diagram

Purchase order data

Type	Order No.
Rubber bellows only	on request
With removable plates and G 1/2 air inlet	on request

Additional types on request

Technical data

Min. pressure	0 bar
Return force to min. height	≤ 200 N
Overall weight with metal plates	3.1 kg

Vibration isolation - dynamic characteristic values

Design height H: recommended 100mm, minimum 75mm

Pressure p [bar]	3	4	5	6	7	8	Vol. V [l]
Force (Load) [kN]	5.5	7.3	9.1	11.0	13.0	14.9	
Spring rate [N/cm]	1870	2380	2870	3420	3970	4480	
Natural frequency [Hz]	3.0	2.9	2.8	2.8	2.8	2.8	

Pneumatic application - static characteristic values

Force F [kN]

Pressure p [bar]	3	4	5	6	7	8	Vol. [l]
Height H [mm]	120	100	80	60	120	100	
	3.4	5.5	7.0	8.6	8.5	10.0	
	2.3	2.0	1.5	1.0	2.3	2.0	



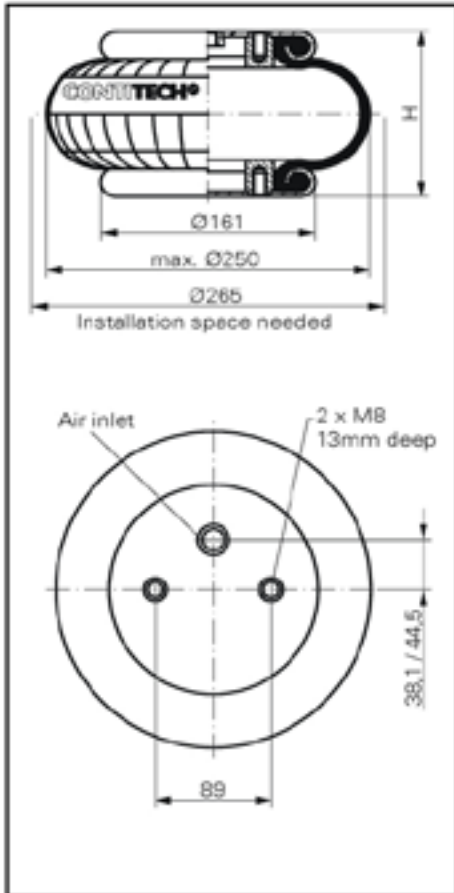
Service instructions

M10 = 25 Nm

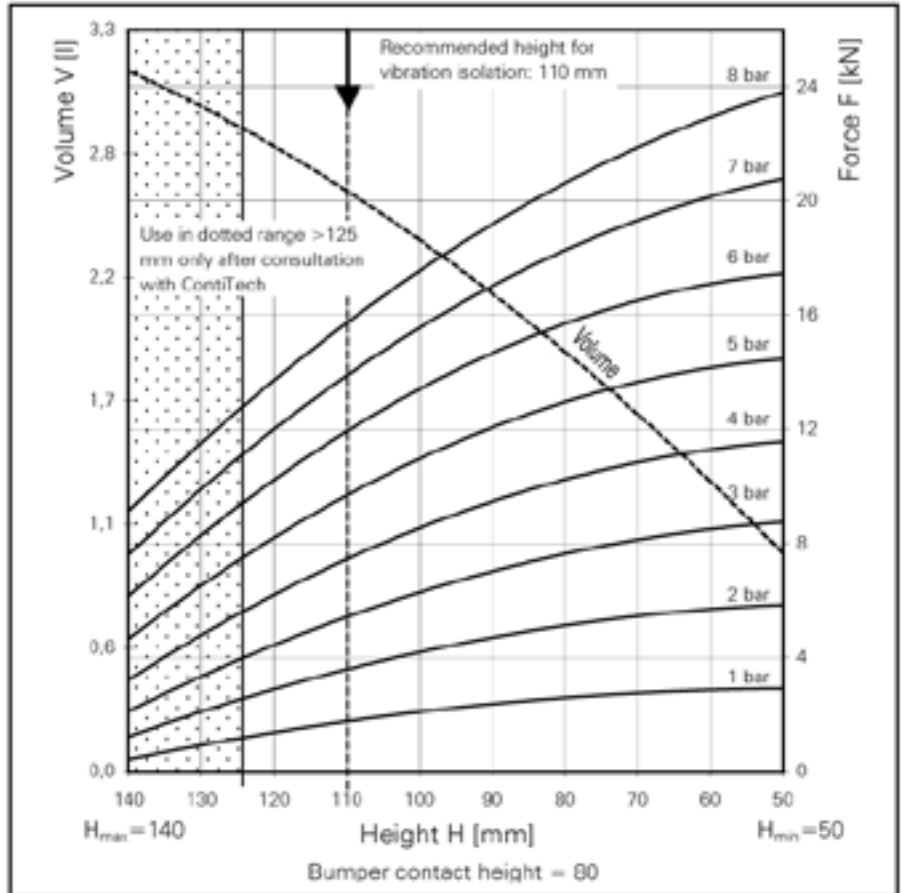
G 1/2 = 25 Nm

FS 200-10

CONTI[®] single convoluted air spring



FS 200-10



Force-height diagram

Purchase order data

Type	Order No.
Rubber bellow only	60319
With clamped plates G 3/4 air inlet 38.1 mm excentrical	2681 045 000
With clamped plates G 1/4 air inlet 44.5 mm excentrical	60030
With clamped plates G 1/4 air inlet 44.5 mm excentrical with bumper	2681 047 000

Additional types on request



Service instruction
 MB = 25 Nm
 G 3/4 = 50 Nm
 G 1/4 = 25 Nm

Technical data

Min. pressure	0 bar
Return force to min. height	≤ 200 N
Overall weight with clamped plates	2.3 kg

Vibration isolation - dynamic characteristic values

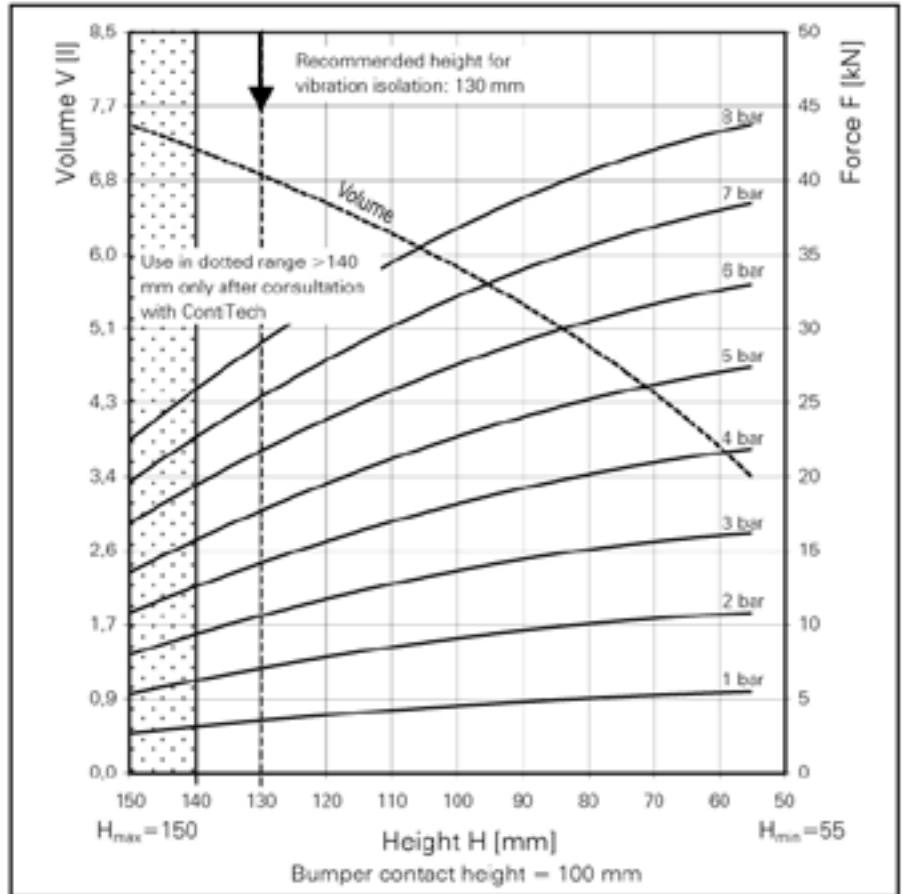
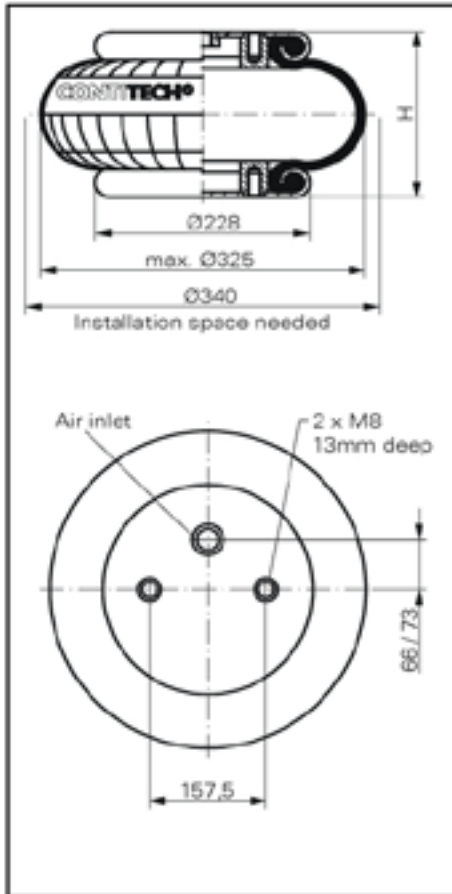
Design height H: recommended 110mm, minimum 90mm

Pressure p [bar]	3	4	5	6	7	8	Vol. V[l]
Force (Load) [kN]	5,5	7,5	9,6	11,9	14,0	15,7	2,7
Spring rate [N/cm]	1500	2050	2600	3150	3700	4250	
Natural frequency [Hz]	2,6	2,6	2,6	2,6	2,6	2,6	

Pneumatic application - static characteristic values

Force F [kN]

Pressure p [bar]	3	4	5	6	7	8	Vol. [l]	
Height H [mm]	120	4,5	6,2	8,2	10,4	12,1	13,8	2,8
	110,2	5,5	7,5	9,6	11,9	14,0	15,7	2,7
	100	6,3	8,6	11,0	13,4	15,5	17,5	2,3
	90	7,0	9,4	12,1	14,6	17,0	19,2	2,2
	80	7,6	10,2	13,0	15,7	18,2	20,6	1,8
	70	8,1	10,9	13,6	16,5	19,3	21,9	1,6
	60	8,5	11,3	14,2	17,1	20,1	23,0	1,3



FS 330-11

Force-height diagram

Purchase order data

Type	Order No.
Rubber bellow only	60314
With clamped plates G 3/4 air inlet 66 mm excentrical	2681 060 000
With clamped plates G 1/4 air inlet 73 mm excentrical	60424
With bumper G 1/4 air inlet 73.2 mm excentrical	2681 062 000

Additional types on request

Technical data

Min. pressure	0 bar
Return force to min. height	≤ 300 N
Overall weight with clamped plates	4.1 kg

Vibration isolation - dynamic characteristic values

Design height H: recommended 130mm, minimum 100mm

Pressure p [bar]	3	4	5	6	7	8	Vol. V [l]
Force (Load) [kN]	10,7	14,2	17,8	21,8	25,4	29,0	7,0
Spring rate [N/cm]	2645	3290	3935	4580	5225	5870	
Natural frequency [Hz]	2,5	2,4	2,4	2,3	2,3	2,3	

Pneumatic application - static characteristic values

Force F [kN]

Pressure p [bar]	3	4	5	6	7	8	Vol. [l]	
Height H [mm]	130	10,7	14,2	17,8	21,8	25,4	29,0	7,0
	120	11,9	15,7	19,6	23,8	27,8	31,8	6,3
	110	12,7	16,9	21,1	25,8	30,1	34,4	5,8
	100	13,6	18,1	22,7	27,6	32,1	36,7	5,6
	90	14,4	19,2	24,0	29,1	34,0	38,9	5,3
	80	15,0	20,2	25,2	30,5	35,5	40,6	4,9
	70	15,5	20,9	26,2	31,6	36,9	42,1	4,3
	60	16,0	21,6	27,1	32,6	38,0	43,3	3,9

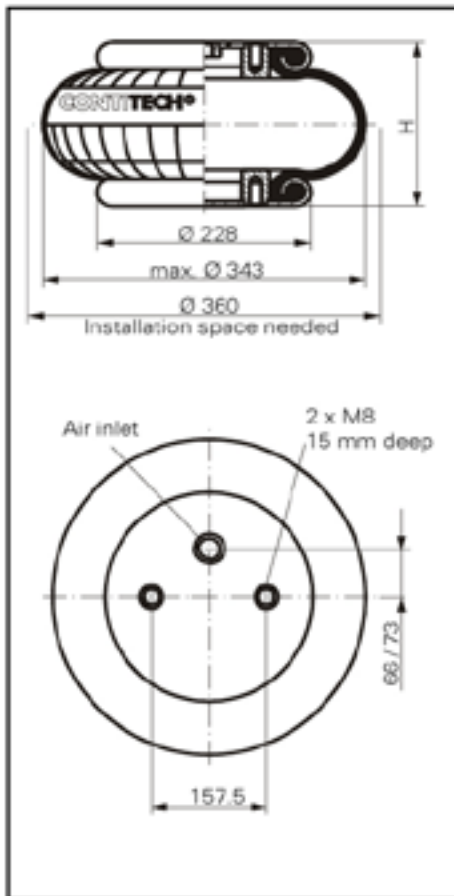


Service instruction

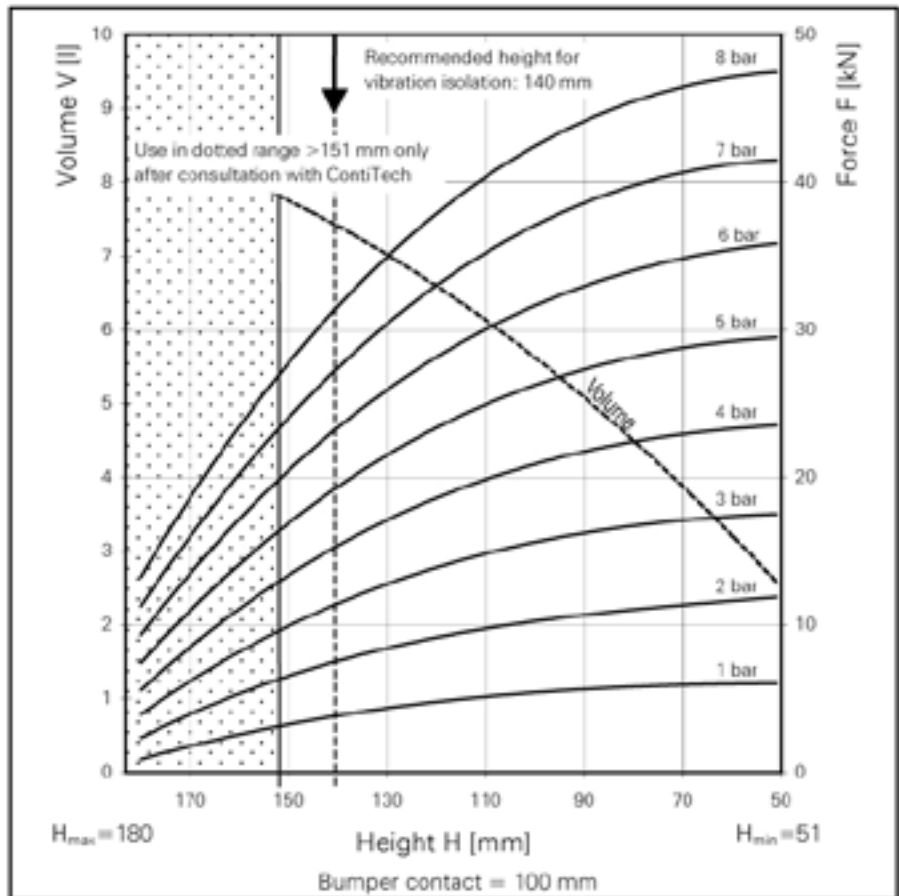
M8 = 25 Nm

G 1 = 50 Nm

G 1/4 = 25 Nm



FS 330-14



Force-height diagram

Purchase order data

Type	Order No.
Rubber bellows only	on request
With clamped plates	on request
G1 air inlet	
66mm excentrical	
With clamped plates	61937
G1/4 air inlet	
73mm excentrical	
With bumper, clamped plates	on request
G1/4 air inlet	
73mm excentrical	

Additional types on request

Technical data

Min. pressure	0 bar
Return force to min. height	≤ 300 N
Overall weight with clamped plates	4.3 kg

Vibration isolation - dynamic characteristic values

Design height H: recommended 140mm, minimum 120mm

Pressure p [bar]	3	4	5	6	7	8	Vol V [l]
Force (Load) [kN]	11.6	15.5	19.5	23.4	27.4	31.2	7.5
Spring rate [N/cm]	2610	3322	4094	4865	5678	6376	
Natural frequency [Hz]	2.4	2.3	2.3	2.3	2.3	2.2	

Pneumatic application - static characteristic values

Force F [kN]

Pressure p [bar]	3	4	5	6	7	8	Vol [l]
Height H [mm]	150	13.6	17.0	20.6	24.0	28.0	7.8
	130	12.6	17.0	21.4	26.0	30.2	7.1
	110	14.8	19.8	25.0	30.0	35.2	6.1
	90	16.2	21.8	27.4	33.0	38.6	5.0
	70	17.2	23.0	28.8	34.9	40.6	3.9

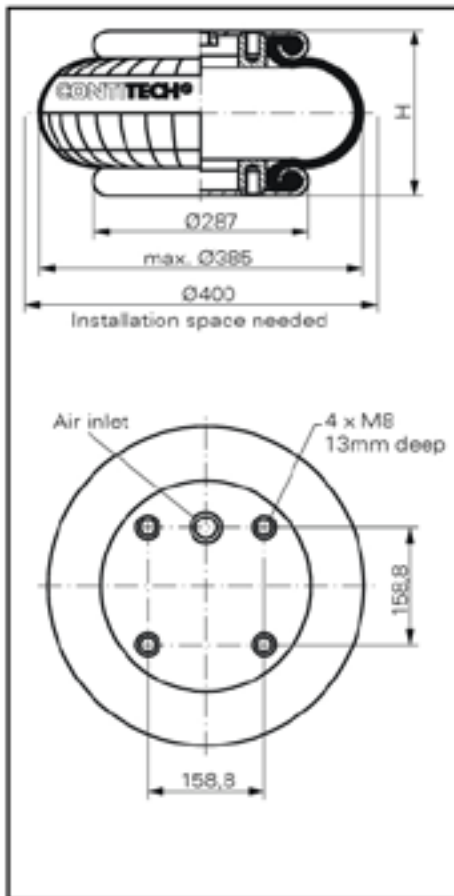


Service instructions

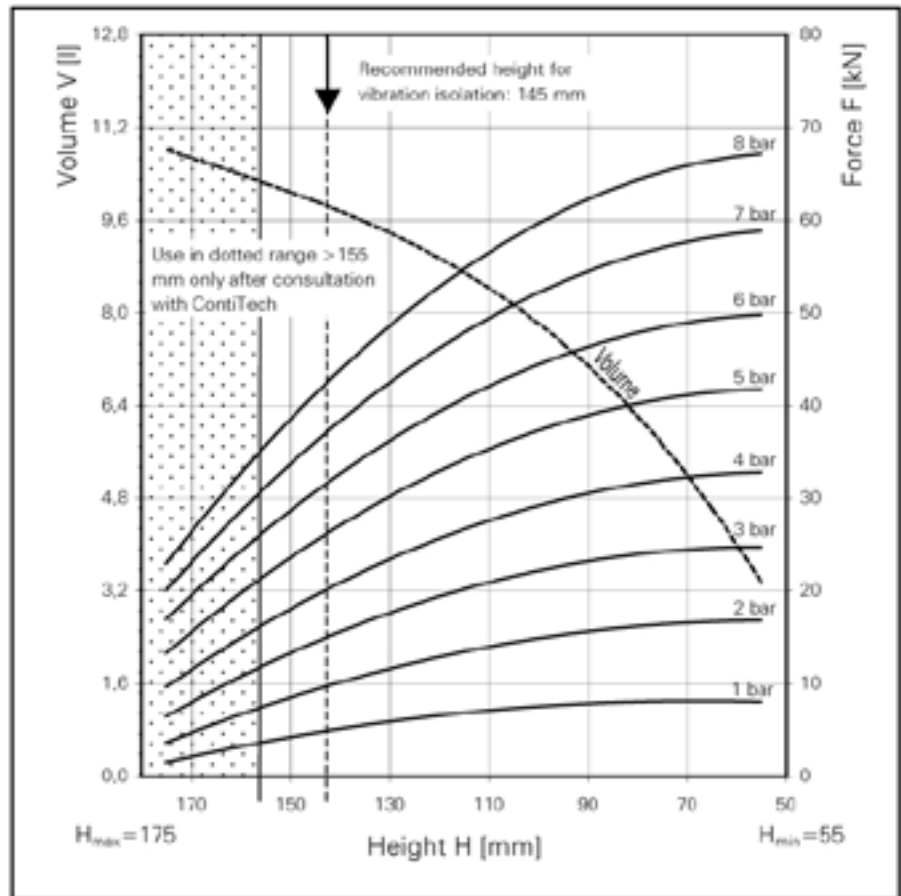
M 8 = 25 Nm

G 1 = 50 Nm

G 1/4 = 25 Nm



FS 530-11



Force-height diagram

Purchase order data

Type	Order No.

Additional types on request

Technical data

Min. pressure	0 bar
Return force to min. height	≤ 300 N
Overall weight with clamped plates	5,8 kg

Vibration isolation - dynamic characteristic values

Design height H: recommended 145mm, minimum 110mm

Pressure p [bar]	3	4	5	6	7	8	Vol. V [l]
Force (Load) [kN]	15,2	20,1	26,5	31,6	36,9	42,2	
Spring rate [N/cm]	3970	5000	6080	7100	8130	9150	
Natural frequency [Hz]	2,6	2,5	2,4	2,4	2,3	2,3	

Pneumatic application - static characteristic values

Force F [kN]

Pressure p [bar]	3	4	5	6	7	8	Vol. [l]	
Height H [mm]	150	14,3	19,0	25,0	30,0	35,0		40,0
	130	17,8	23,7	30,5	36,3	42,7		49,1
	110	20,7	27,4	34,8	41,7	49,0		56,0
	90	22,8	30,0	38,1	46,0	53,9		61,6
	70	24,3	32,0	41,2	48,8	57,4		65,5



Service instruction

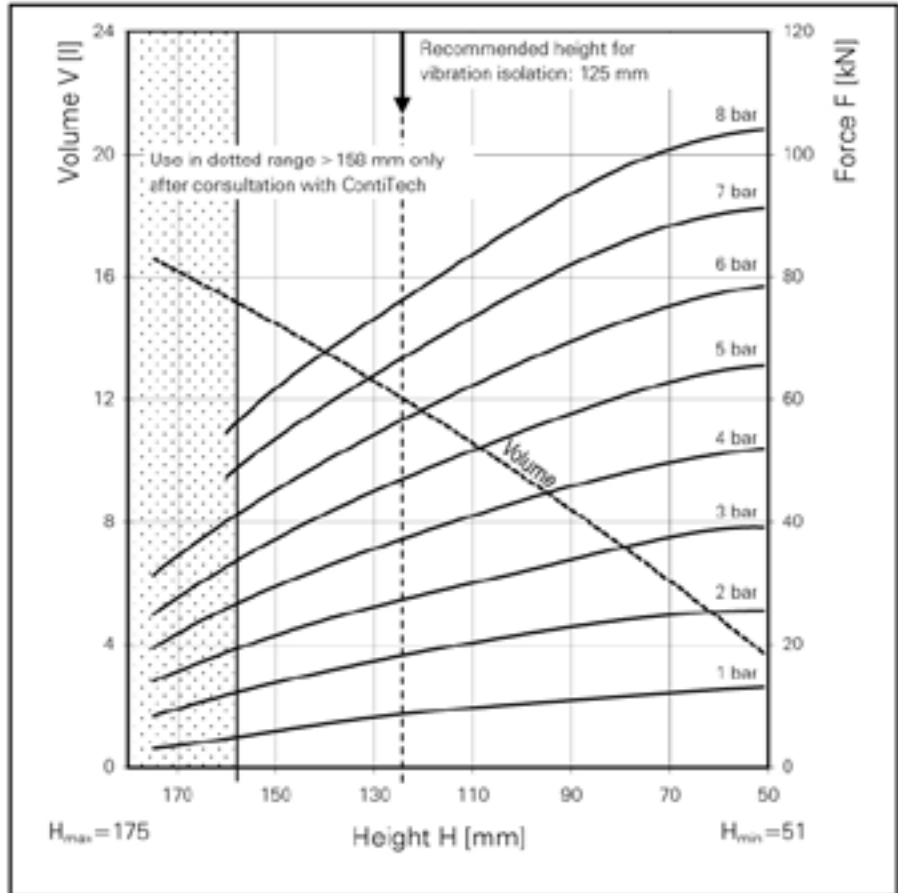
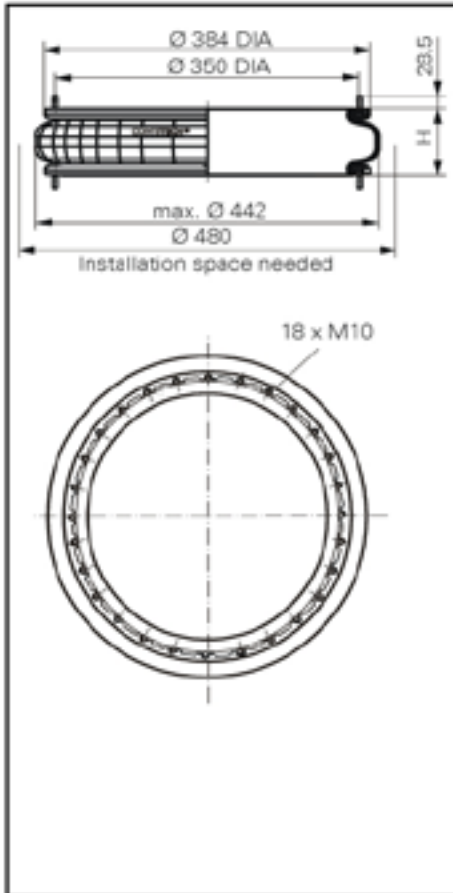
M8 = 25 Nm

G 1 = 50 Nm

G 1/4 = 25 Nm

FS 960-12

CONTI[®] Single Convolution Air Spring



FS 960-12

Force-height diagram

Purchase order data

Type	Order No.
Rubber bellows only	61775
Bellows with bead rings, 45 mm bolts, nuts and washers	61898

Additional types on request

Technical data

Min. pressure	0 bar
Return force to min. height	≤ 100 N
Overall weight with clamped plates	5.0 kg

Vibration isolation - dynamic characteristic values

Design height H: recommended 125mm, minimum 110mm

Pressure p [bar]	3	4	5	6	7	8	Vol V [l]
Force (Load) [kN]	28.7	38.8	49.0	58.7	68.4	78.1	
Spring rate [N/cm]	5950	7670	9240	11000	12760	14530	
Natural frequency [Hz]	2.3	2.2	2.2	2.2	2.2	2.1	

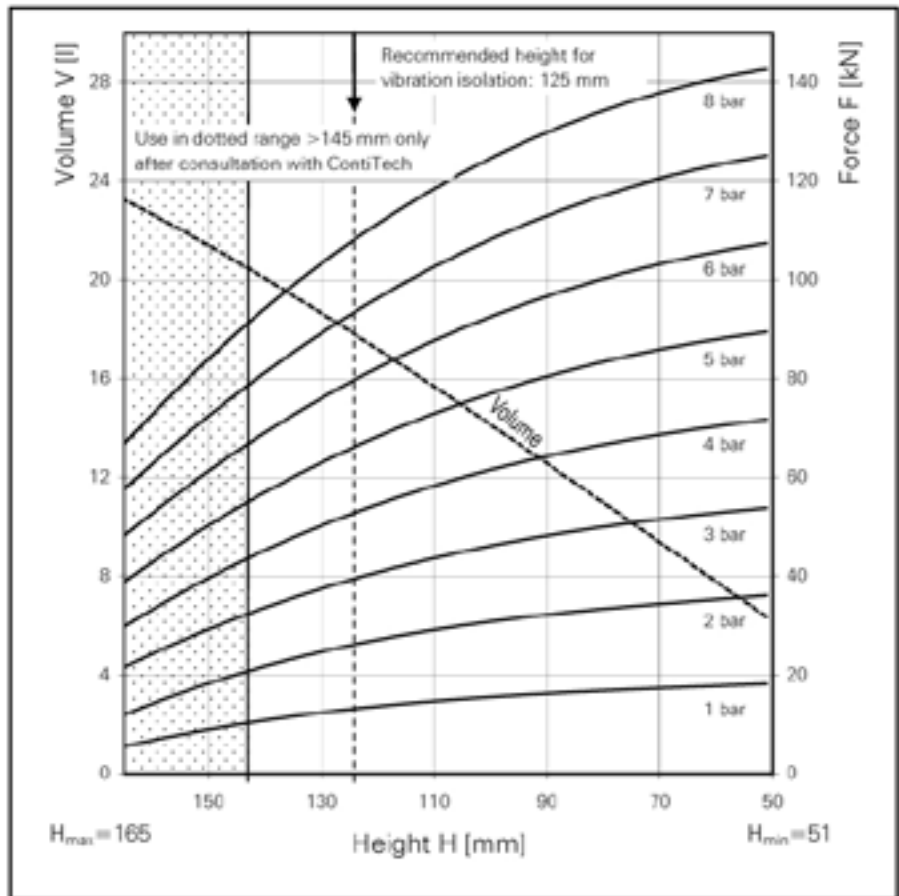
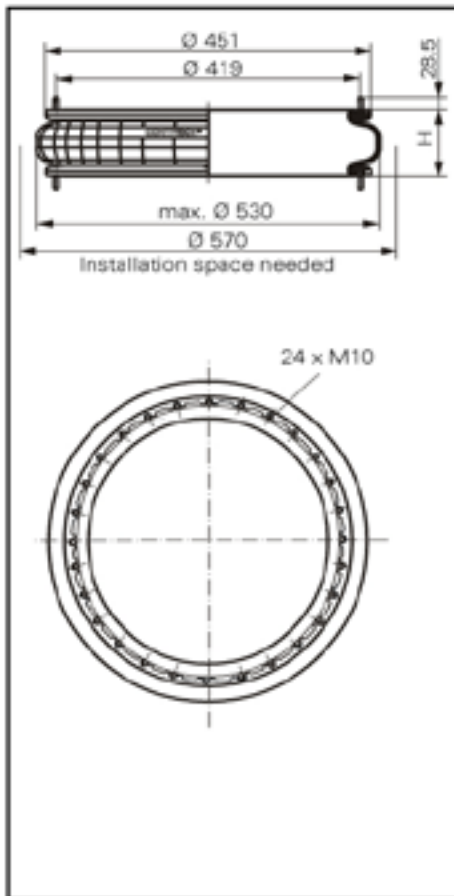
Pneumatic application - static characteristic values

Force F [kN]

Pressure p [bar]	3	4	5	6	7	8	Vol. [l]	
Height H [mm]	140	23.9	32.7	41.3	49.7	59.0		67.6
	130	25.8	35.8	45.1	54.3	63.9		73.4
	120	28.2	38.4	48.2	58.5	68.8		78.3
	110	30.0	41.2	51.7	62.3	73.5		83.5
	100	31.8	43.4	54.8	65.9	77.6		88.9
	90	33.9	45.8	57.7	69.6	82.1		93.6
	80	35.7	48.0	60.5	72.5	85.7		97.8
	70	37.6	49.6	62.8	75.3	88.2		100.7



Service instructions
M 10 = 40 Nm


FS 1330-11
Force-height diagram
Purchase order data

Type	Order No.
Rubber bellows only	61778
Bellows with bead rings 45mm bolts, nuts and washers	61899

Additional types on request

Technical data

Min. pressure	0 bar
Return force to min. height	≤ 89 N
Overall weight with clamped plates	7.3 kg

Vibration isolation - dynamic characteristic values

Design height H: recommended 125mm, minimum 105mm

Pressure p [bar]	3	4	5	6	7	8	Vol V [l]	
Force (Load) [kN]	39.0	52.0	65.0	79.0	93.0	108.0		17.9
Spring rate [N/cm]	8130	10530	12740	15240	17660	19850		
Natural frequency [Hz]	2.3	2.2	2.2	2.2	2.2	2.2		

Pneumatic application - static characteristic values

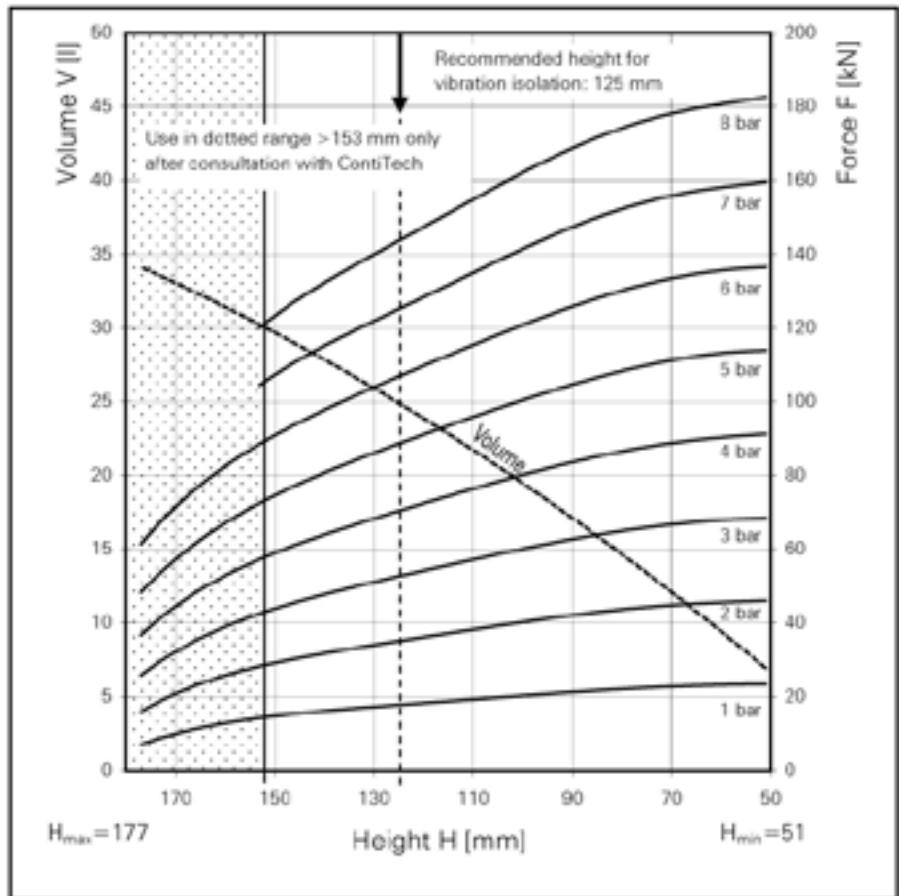
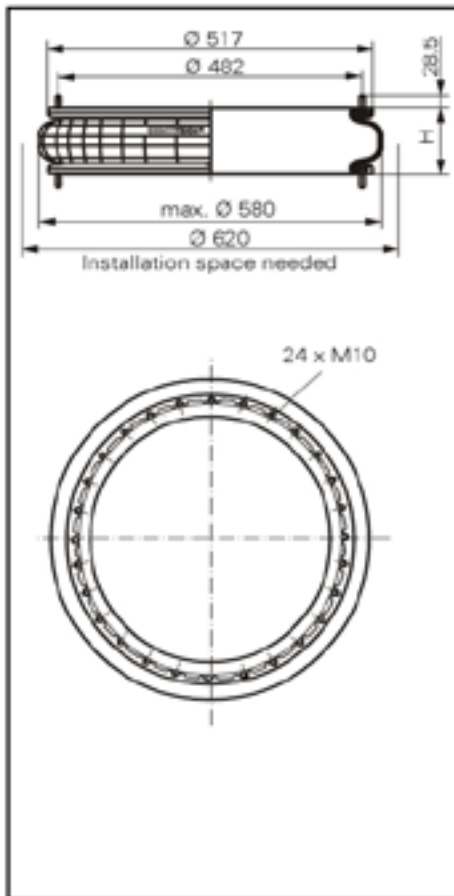
Force F [kN]

Pressure p [bar]	3	4	5	6	7	8	Vol. [l]	
Height H [mm]	140	45.8	57.5	69.5	81.8	94.1		20.1
	130	37.4	50.2	63.0	76.1	89.2		18.7
	120	40.3	54.0	67.6	81.4	95.5		17.1
	110	43.0	57.6	72.3	86.7	101.8		15.7
	100	46.0	61.2	76.8	92.5	108.0		14.0
	90	48.4	64.5	80.6	96.9	113.2		12.7
	80	50.3	67.1	83.9	100.7	117.7		11.0
	70	51.8	69.0	86.2	103.5	120.8		9.3


 Service instructions
M 10 = 40 Nm

FS 1710-12

CONTI[®] Single Convolution Air Spring



FS 1710-12

Force-height diagram

Purchase order data

Type	Order No.
Rubber bellows only	61782
Bellows with bead rings, 45mm bolts, nuts and washers	61900

Additional types on request

Technical data

Min. pressure	0 bar
Return force to min. height	≤ 120 N
Overall weight with clamped plates	8.7 kg

Vibration isolation - dynamic characteristic values

Design height H: recommended 125mm, minimum 110mm

Pressure p [bar]	3	4	5	6	7	8	Vol V [l]
Force (Load) [kN]	53.6	70.6	87.5	110.0	126.7	145.7	25.0
Spring rate [N/cm]	10190	12880	15510	18970	21540	24480	
Natural frequency [Hz]	2.2	2.2	2.1	2.1	2.1	2.1	

Pneumatic application - static characteristic values

Force F [kN]

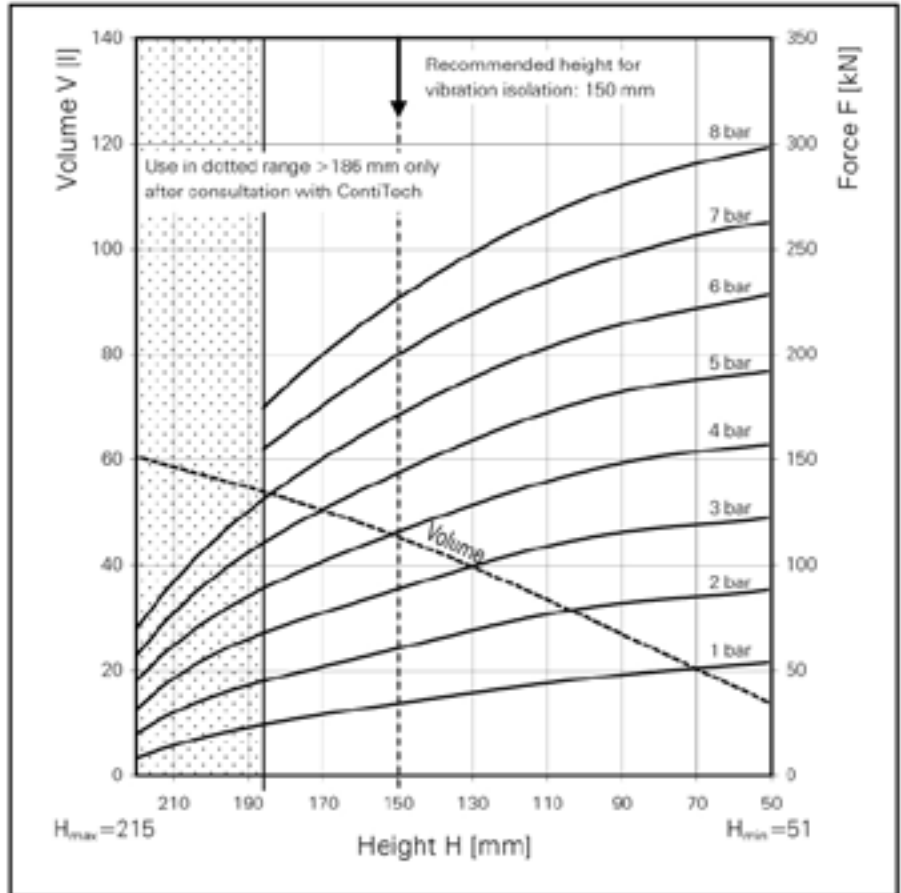
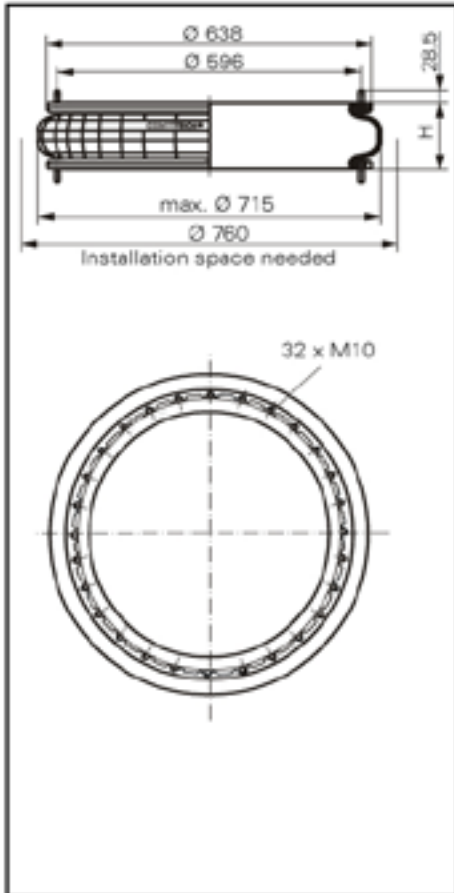
Pressure p [bar]	3	4	5	6	7	8	Vol. [l]	
Height H [mm]	140	48.2	64.4	81.2	98.0	115.2	132.3	27.9
	120	53.8	72.1	90.6	109.3	128.2	147.2	23.9
	100	60.2	80.2	100.5	121.0	141.6	162.3	19.2
	80	65.0	86.6	108.5	130.1	152.1	174.0	14.8
	60	67.8	90.2	112.9	135.5	158.2	180.8	9.5



Service instructions
M 10 = 40 Nm

FS 2870-16

CONTI® Single Convolution Air Spring



FS 2870-16

Force-height diagram

Purchase order data

Type	Order No.
Rubber bellows only	61788
Bellows with bead rings, 45 mm bolts, nuts and washers	61901

Additional types on request

Technical data

Min. pressure	0 bar
Return force to min. height	≤ 670 N
Overall weight with clamped plates	11.1 kg

Vibration isolation - dynamic characteristic values

Design height H: recommended 150mm, minimum 130mm

Pressure p [bar]	3	4	5	6	7	8	Vol V [l]
Force (Load) [kN]	88.7	117	145	173	202	225	48.5
Spring rate [N/mm]	14060	17620	21370	24830	28450	31400	
Natural frequency [Hz]	2.0	2.0	1.9	1.9	1.9	1.8	

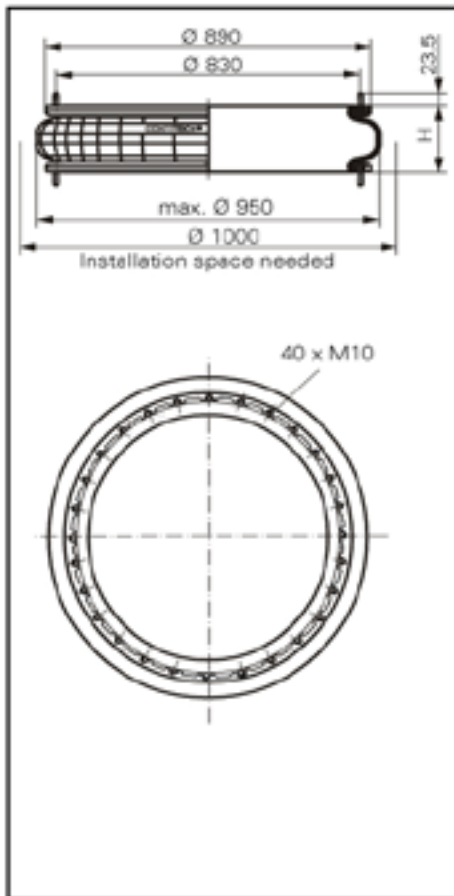
Pneumatic application - static characteristic values

Force F [kN]

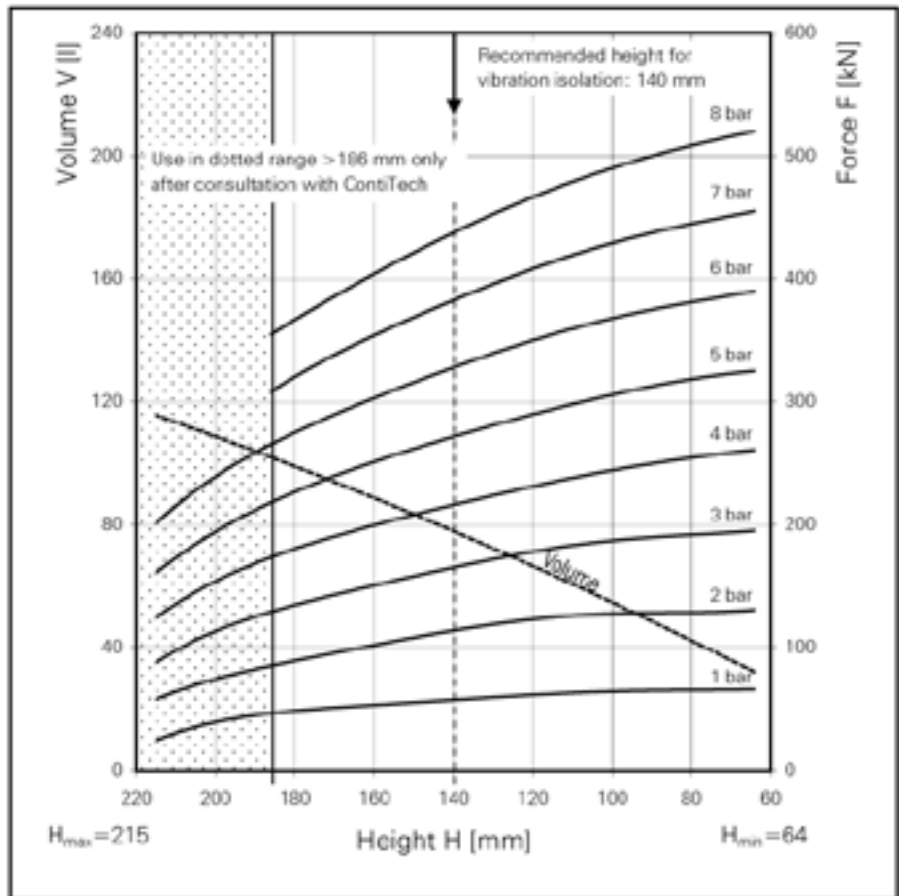
Pressure p [bar]	3	4	5	6	7	8	Vol. [l]	
Height H [mm]	180	70.7	93.8	116.8	139.6	163.9	186.4	52.5
	160	82.9	107.9	135.6	161.0	188.0	212.7	48.0
	140	94.0	123.0	152.0	181.0	209.4	238.0	42.3
	120	105.2	135.0	166.0	196.3	228.8	258.7	37.0
	100	112.0	144.0	178.0	209.3	240.6	272.8	30.0
	80	117.8	150.9	185.4	218.1	251.4	286.0	23.6
	60	120.7	156.9	190.4	225.6	261.1	295.0	17.0



Service instructions
M 10 = 40 Nm



FS 5450-16



Force-height diagram

Purchase order data

Type	Order No.
Rubber bellows only	61785
Bellows with bead rings, 45 mm bolts, nuts and washers	61902

Additional types on request

Technical data

Min. pressure	0 bar
Return force to min. height	≤ 1378 N
Overall weight with clamped plates	22.0 kg

Vibration isolation - dynamic characteristic values

Design height H: recommended 140mm, minimum 120mm

Pressure p [bar]	3	4	5	6	7	8	Vol V [l]	
Force (Load) [kN]	162.0	217.0	272.0	328.0	383.0	438.0		77.4
Spring rate [N/cm]	25780	33040	40150	46970	53750	60520		
Natural frequency [Hz]	2.0	2.0	1.9	1.9	1.9	1.9		

Pneumatic application - static characteristic values

Force F [kN]

Pressure p [bar]	3	4	5	6	7	8	Vol [l]	
Height H [mm]	180	180.1	225.4	274.7	320.4	366.2		99.6
	160	152.0	198.2	251.7	303.0	353.5		89.0
	140	164.0	217.0	272.0	328.5	383.2		77.4
	120	177.5	231.2	289.0	349.0	407.2		66.0
	100	188.4	243.6	305.7	368.2	429.5		55.0
	80	190.8	254.9	318.6	380.9	444.3		42.0


 Service instructions
M 10 = 40 Nm